

Troffer Retro Kits



FEATURES

- Internal retrofit package to convert outdated fixtures to high efficiency lighting using the latest linear fluorescent lighting technologies
- Retains existing housing and shielding
- Kits are available to retrofit 2' x 2' or 2' x 4' fixtures with T8 lamps
- Installs with simple hand tools
- Standard kits include: reflector, ballast and sockets, socket brackets.
- Optional reflector materials available: 91% reflective gloss white or 95% reflective specular
- Reflector extends the width and length of the fixture interior to maximize light output
- Energy savings up to 46% compared to 3-lamp or 4-lamp T12 magnetic systems, while maintaining existing light levels



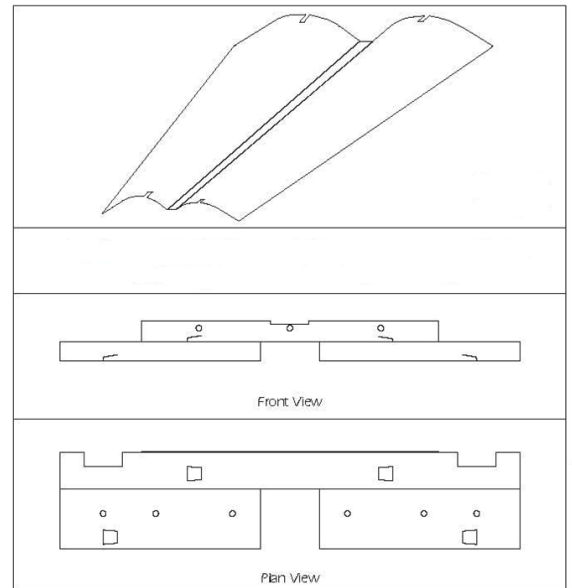
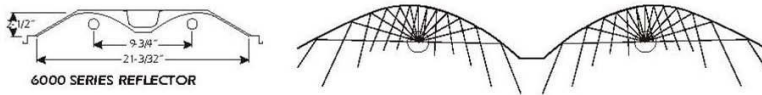
Optical Values

Total Reflectance	95%
Image Clarity	95%
Specular Reflectance along	90%
Specular Reflectance across	89%

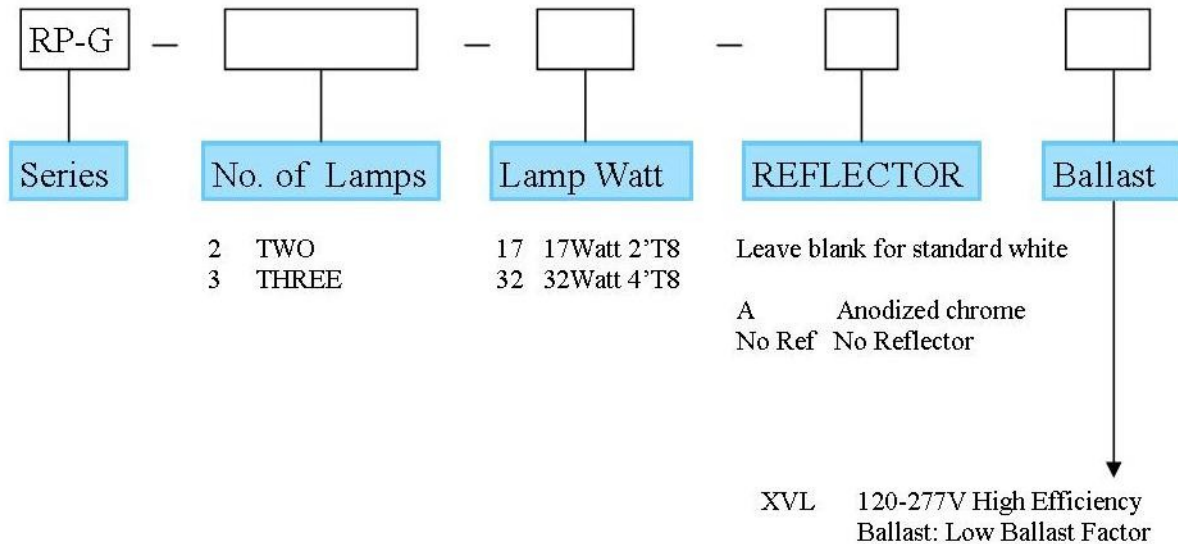
Mechanical Properties

Alloy — 99.85-1085A	
PVD	99.99
Hardness	Hard H-18

Ray Traces are directional patterns produced by the lumen output of the lamps striking and leaving the reflector surface.



ORDERING INFORMATION



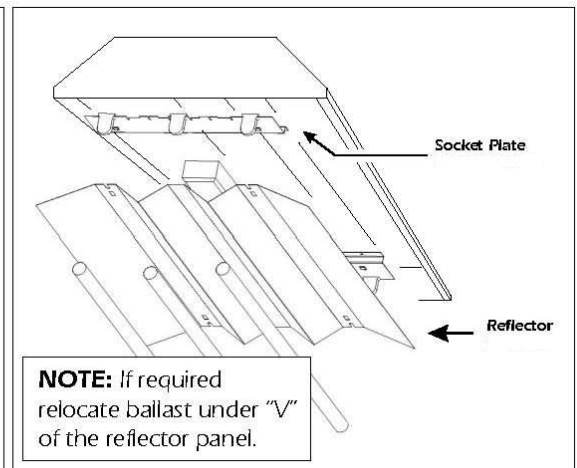
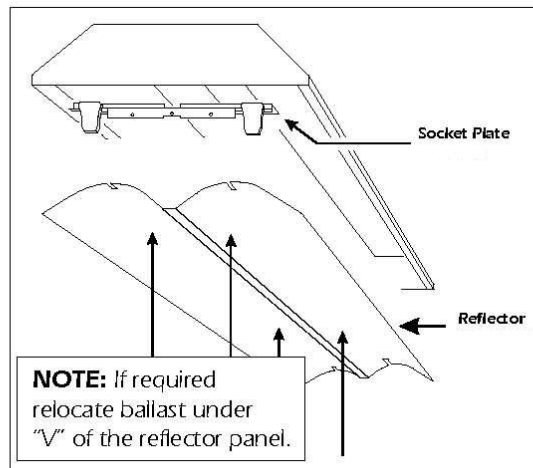
Troffer Retro Kits



Installation Instructions

NOTE: Do not remove clear protective film from reflector until Step #8.

- 1 Turn off and lock electrical power to the lighting fixture during the installation process.
- 2 Open or remove fixture doorframe (with lens or louver) from lighting fixture to gain access to the interior of the fixture.
- 3 Remove lamps, ballast covers and lampholder brackets.
- 4 Disconnect ballast to be removed and remove completely with related wire and lampholders from fixture. Ensure remaining ballast is adequately connected to circuit and unused wires are capped off and secured with U.L. listed electrical tape.
- 5 Reinstall remaining lampholders into new socket brackets, route wires preventing any pinching or damage to wires leading to the ballast.
- 6 Center socket brackets on each end of fixture and fasten using TEK screws provided.
- 7 Remove protective film from reflector and insert reflector into tabs on socket brackets.
- 8 Replace lamps.
- 9 Re-install fixture door with lens or louver.
- 10 Reconnect power.



Note:

Ballast manufacturer may vary

