

Strip Retro Kits

Product Specifications

Mounting

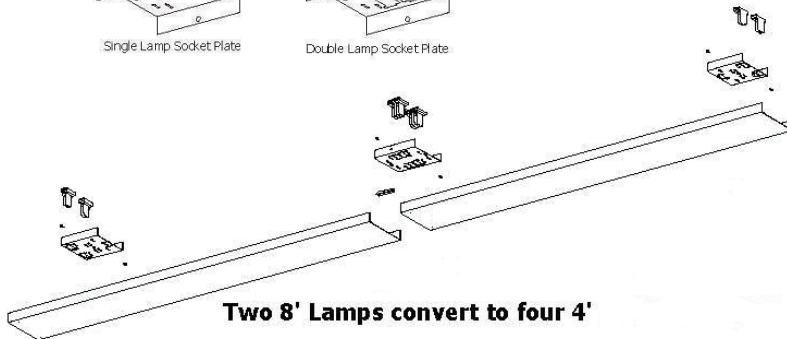
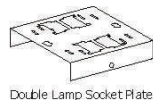
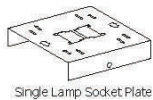
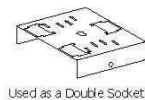
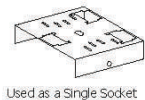
Mounting holes are provided.

Construction

Die-formed, code gauge pre-painted, white steel.

Finish

Pre-painted high reflectance white.



Product Specifications - Application Features

Premium-grade strip conversion kit quickly converts an eight foot T12 strip luminaire into a tandem four foot T8 strip (eight foot housing). Substantial cost-savings on energy consumption (save from 90-120 watts per luminaire system) provides a fast return on investment.

Product Features

- Ideal for converting eight foot strip fixtures to energy efficient T8 tandem four foot strip luminaires
- Cost-effective luminaire replacement
- Higher efficiency and lower watt consumption
- Ballast cover.

RP				
Series	No. of Lamps	Lamp Watt	Channel Length	Ballast
101	One	25 25Watt 3'T8	Leave empty for 4FT	XVL 120-277V High Efficiency Ballast: Low Ballast Factor
102	Two	32 32Watt 4'T8		
1T2	Two in Tandem		6 6FT	No Bal With Out Ballast
1T4	Four in Tandem		8 8FT	
6	Replace the 1 if Reflectors are needed (no bal Cvrs)			
EX: 6T4				