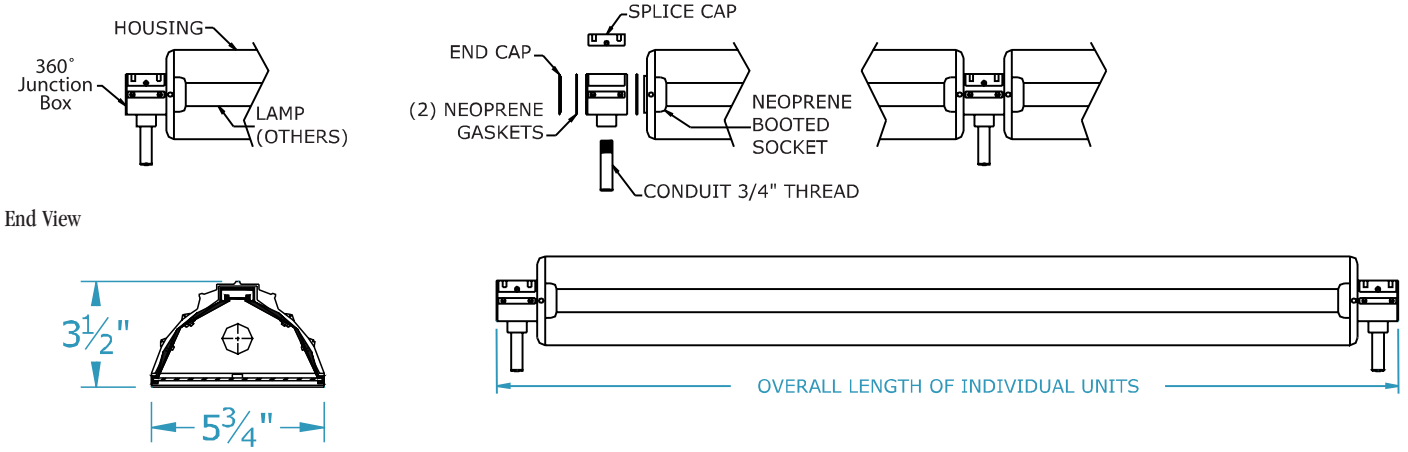


ASL Series

OUTDOOR ADJUSTABLE SIGN LIGHT

Dimensions

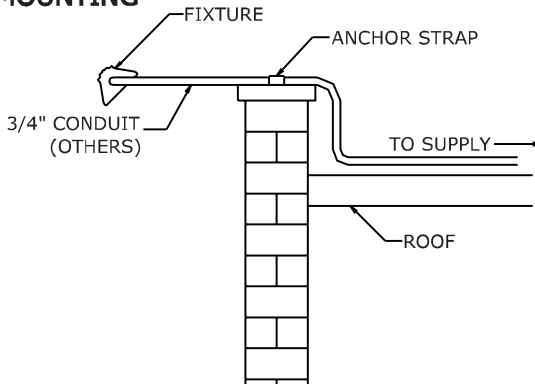
Dimensions are subject to change.
Consult factory for verification.
All configurations/options may not be shown.



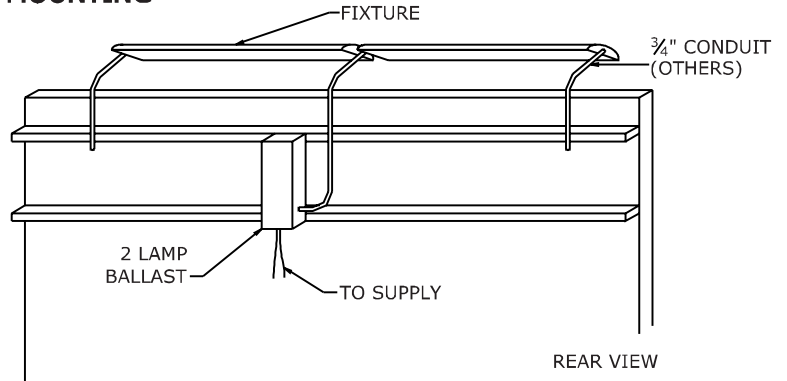
End View

OVERALL LENGTH OF INDIVIDUAL UNITS

COPING MOUNTING



SIGN MOUNTING

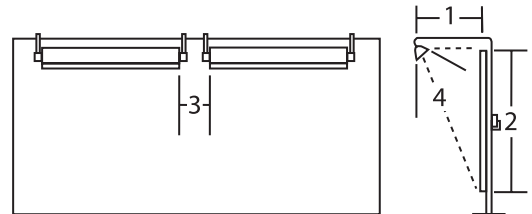


REAR VIEW

Ordering Information

Catalog #	No & Lamp Type	O/A Length	O/A Width	O/A Depth	Wt.
ASL-148 HO	1-F48T12HO	53"	5 3/4"	3 1/2"	27 1/2
ASL-172 HO	1-F72T12HO	77"	5 3/4"	3 1/2"	30 1/4
ASL-196 HO	1-F96T12HO	101"	5 3/4"	3 1/2"	33
ASL-248 HO	2-F48T12HO	53"	5 3/4"	3 1/2"	27 3/4
ASL-272 HO	2-F72T12HO	77"	5 3/4"	3 1/2"	30 1/2
ASL-296 HO	2-F96T12HO	101"	5 3/4"	3 1/2"	33 1/4
ASL-2T48-8 HO#	2-F48T12HO	103 1/2"	5 3/4"	3 1/2"	35 1/4
ASL-2T72-12 HO#	2-F72T12HO	151 1/2"	5 3/4"	3 1/2"	40 3/4
ASL-2T96-16 HO#	2-F96T12HO	199 1/2"	5 3/4"	3 1/2"	43 3/4

Tandem units



- No. 3 should not exceed dimensions of No. 1.
- No. 2 should be twice the dimension as No. 1.
- If No. 2 exceeds 15 ft., luminaire's should be installed at top and bottom of area to be illuminated.
- Angle of No. 4 should be 45°. If No. 1 is four times less than No. 2 then angle 4 should be 22.5°

