

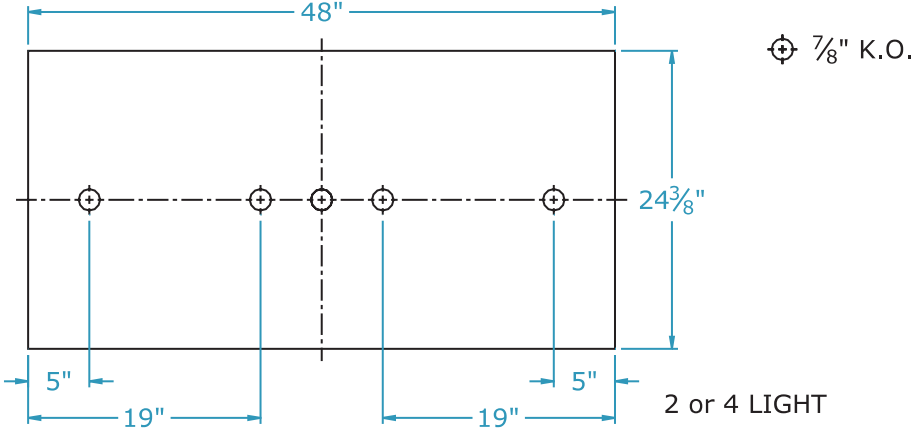
824 Series 2x4

2, 3, 4 & 6 LAMP

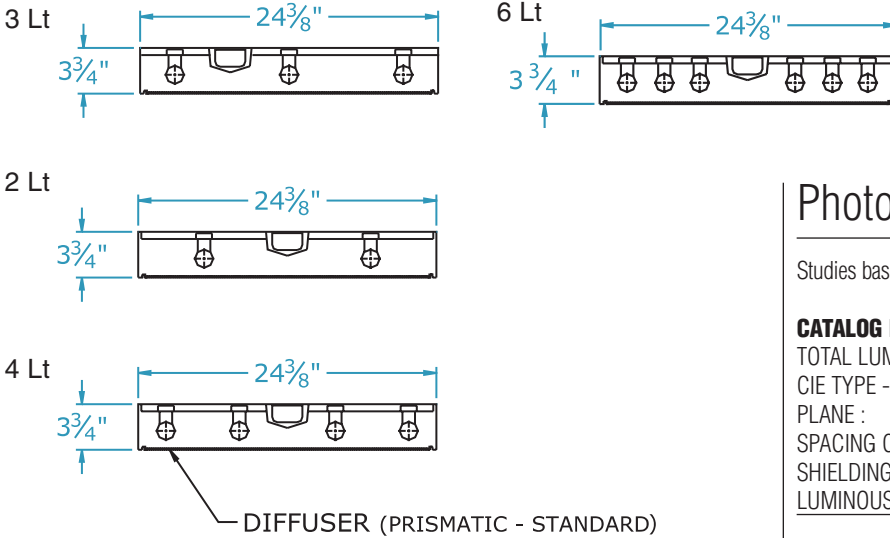
Dimensions

Dimensions are subject to change.
Consult factory for verification.
All configurations/options may not be shown.

Back View



End View

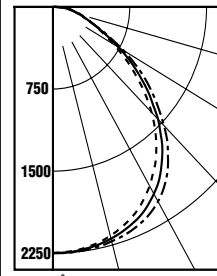


Photometrics

Studies based on room surface reflectance 80%-Ceiling, 50%-Wall, 20% Floor.

CATALOG NUMBER: 824-SA1-332 XV
TOTAL LUMINAIRE EFFICIENCY = 66.5 %
CIE TYPE - DIRECT
PLANE : 0-DEG 90-DEG
SPACING CRITERIA : 1.2 1.3
SHIELDING ANGLES : 90 90
LUMINOUS LENGTH : 45.438 21.688

Candle Power Distribution Curve



LEGEND:
0-deg: - - - - -
45-deg: _____
90-deg: - - - - -

Coefficients of Utilization

Zonal Cavity Method
Effective Floor Cavity Reflectance 0.20

RC%	80			50			30				
	RW*	70	50	30	10	50	30	10	50	30	10
0	79	79	79	79	74	74	74	71	71	71	71
1	73	70	67	65	65	63	62	63	61	60	60
2	67	61	57	53	58	54	52	56	53	50	50
3	61	54	49	45	51	47	44	50	46	43	43
4	56	48	43	39	46	41	38	44	40	37	37
5	52	43	38	33	41	37	33	40	36	33	33
6	48	39	34	29	37	33	29	36	32	29	29
7	44	36	30	26	34	29	26	33	29	26	26
8	41	33	27	23	31	27	23	30	26	23	23
9	39	30	25	21	29	24	21	28	24	21	21
10	36	28	23	19	27	22	19	26	22	19	19

Ordering Information

Catalog #	No & Lamp Type	O/A Length	O/A Width	O/A Depth	Wt.
824-SA1-232 XV	2-F32T8	48"	24 3/8"	3 3/4"	29
824-SA1-332 XV	3-F32T8	48"	24 3/8"	3 3/4"	29 1/2
824-SA1-432 XV	4-F32T8	48"	24 3/8"	3 3/4"	29 1/2
824-SA1-632 XV	6-F32T8	48"	24 3/8"	3 3/4"	31

