

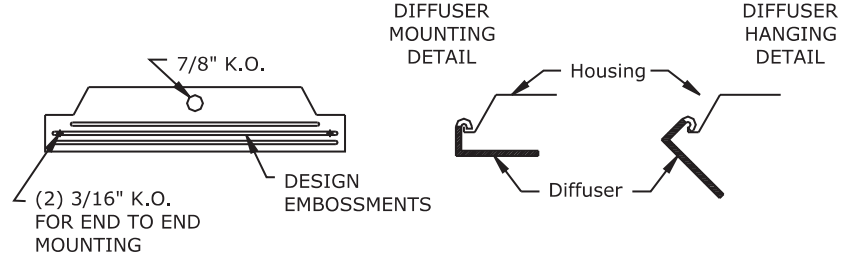
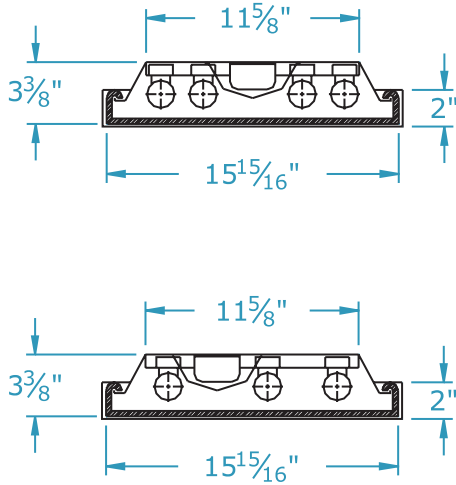
404 Series 16" Commercial Wrap

2, 3 & 4 LAMP

Dimensions

Dimensions are subject to change.
Consult factory for verification.
All configurations/options may not be shown.

End View



Ordering Information

Catalog #	No & Lamp Type	O/A Length	O/A Width	O/A Depth	Wt.
402-32 XV WB	2-F32T8	48"	15 15/16"	3 3/8"	18 1/2
403-32 XV	3-F32T8	48"	15 15/16"	3 3/8"	18 1/2
404-17 XV	4-F17T8	24"	15 15/16"	3 3/8"	14 3/4
404-25 XV	4-F25T8	36"	15 15/16"	3 3/8"	16 3/4
404-32 XV	4-F32T8	48"	15 15/16"	3 3/8"	18 1/2
404-96 T8 XV	4-F96T8	96"	15 15/16"	3 3/8"	34
4T8-25-6 XV#	8-F25T8	72"	15 15/16"	3 3/8"	31 1/2
4T8-32-8 XV#	8-F32T8	96"	15 15/16"	3 3/8"	34

= Tandem Units



Photometrics

Studies based on room surface reflectance 80%-Ceiling, 50%-Wall, 20% Floor.

CATALOG NUMBER: 404-32 XV

TOTAL LUMINAIRE EFFICIENCY = 72.8 %

CIE TYPE - DIRECT

PLANE :	0-DEG	90-DEG
SPACING CRITERIA :	1.3	1.4
SHIELDING ANGLES :	90	90
LUMINOUS LENGTH :	47.750	15.625
HEIGHT OF SIDE :	1.750	0.000

