

401 Series Narrow Wrap

1 & 2 LAMP

Features

- Narrow Wrap
- Lift and shift lens mounting from either side
- Acrylic diffuser
- UL Listed

Specifications

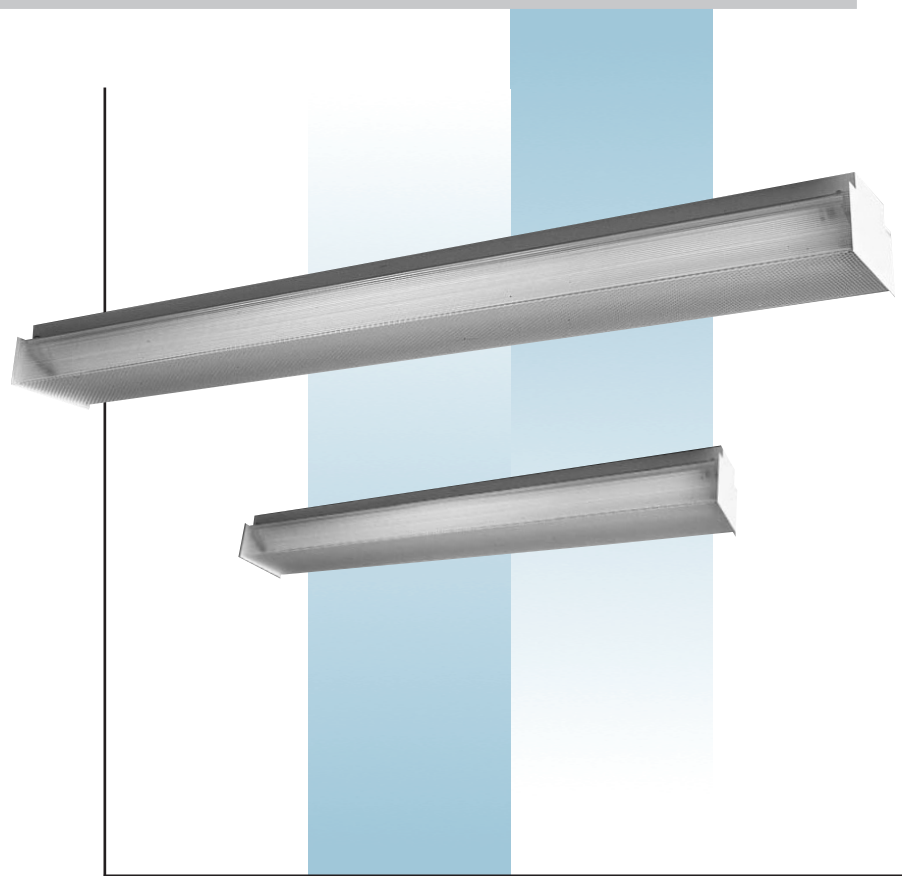
- Ballasts are thermally protected Class P, non-PCB and UL listed. Electronic ballasts are sound rated "A".
- Housings are formed from cold rolled steel and painted with a high-gloss, baked white enamel finish after multi-stage cleaning and a phosphate coating to inhibit rust, has been applied.
- Fixture is designed for ceiling mounting and is available in many sizes and lamp configurations.
- Diffuser is 100% virgin acrylic that is of a lift and shift design for easy servicing.

Application

- Commercial or residential
- Kitchens
- Offices
- Corridors
- Hallways

Options

- 120 volt
- 277 volt
- Multi-volt (120-277v, 50 or 60 Hertz)
- 0 Degree F
- Dimming
- THD less than 10% - instant start
- THD less than 10% - rapid start
- Program Start
- Low Watt (Low Ballast Factor)
- High Light output (High Ballast Factor)
- Dual level wiring



Accessories

- Emergency battery pack

Catalog Number	Type