

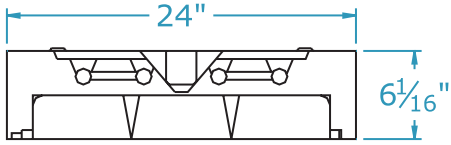
# 82P9 Series 2x2 9 Cell

2, 3 OR 4 STRAIGHT OR 2 U LAMPS

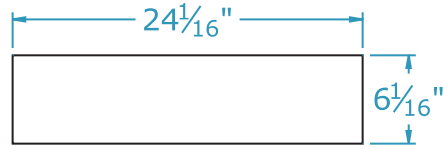
## Dimensions

Dimensions are subject to change.  
Consult factory for verification.  
All configurations/options may not be shown.

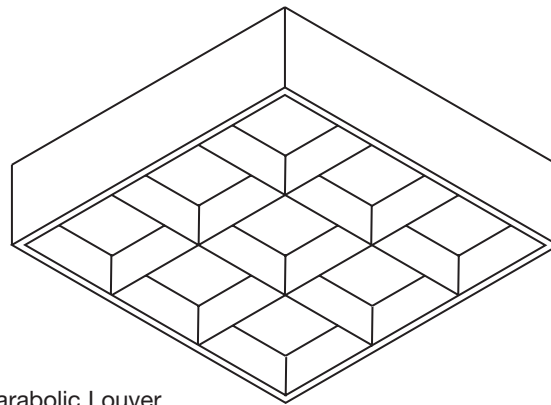
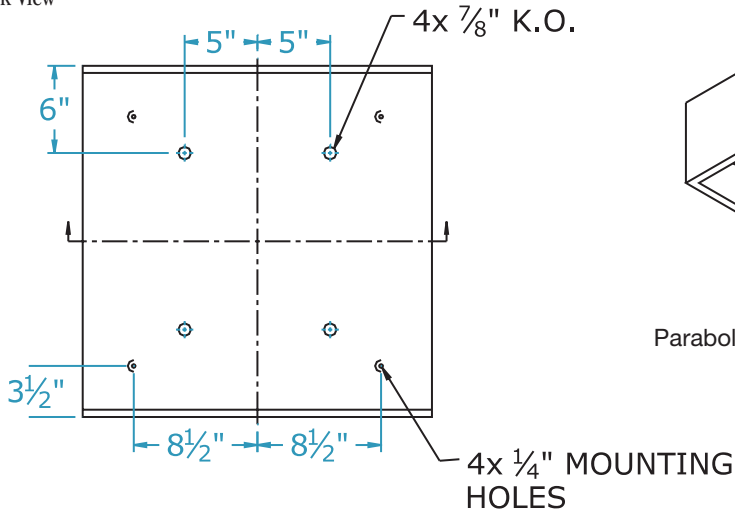
End View



Side View



Back View



Parabolic Louver

## Ordering Information

Catalog #	No & Lamp Type	O/A Length	O/A Width	O/A Depth	Wt.
82P9-3S2U32 XV	2-FB32T8	24 1/16"	24"	6 1/16"	23 1/2
82P9-3S217 XV	2-F17T8	24 1/16"	24"	6 1/16"	23 1/2
82P9-3S317 XV	3-F17T8	24 1/16"	24"	6 1/16"	23 1/2
82P9-3S417 XV	4-F17T8	24 1/16"	24"	6 1/16"	23 1/2

