

Phoenix Series

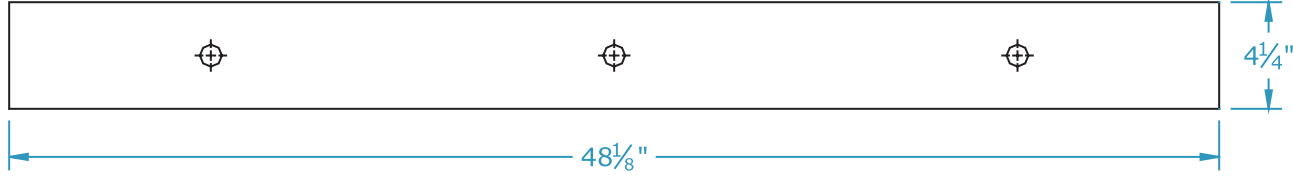
PERFORATED METAL

Dimensions

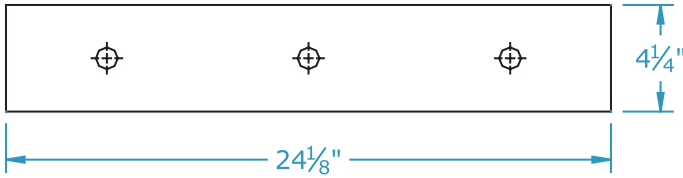
Dimensions are subject to change.
Consult factory for verification.
All configurations/options may not be shown.

Back View

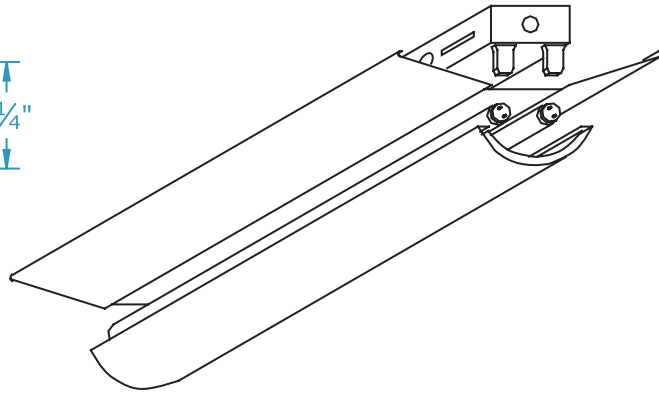
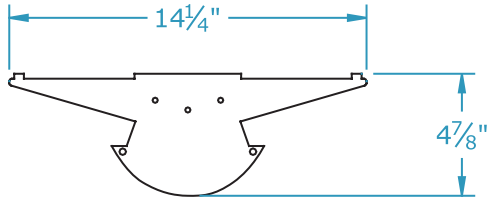
⊕ 7/8" K.O.



⊕ 7/8" K.O.



End View



Ordering Information

Catalog #	No & Lamp Type	O/A Length	O/A Width	O/A Depth	Wt.
PX2-* -17 XV	2-F17T8	24 1/8"	14 1/4"	4 7/8"	7 3/4
PX2-* -32 XV	2-F32T8	48 1/8"	14 1/4"	4 7/8"	11 3/4
PX3-* -32 XV	3-F32T8	48 1/8"	14 1/4"	4 7/8"	11 3/4

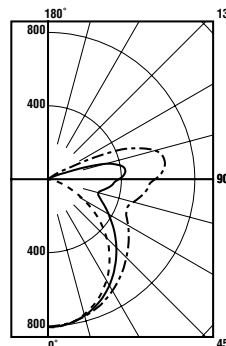
* M=Perforated Metal
J= Smooth White Lens
F=Fluted lens

Photometrics

Studies based on room surface reflectance 80%-Ceiling, 50%-Wall, 20% Floor.

CATALOG NUMBER: PX2-M-32 XV
TOTAL LUMINAIRE EFFICIENCY = 60.7 %
CIE TYPE - SEMI-DIRECT
PLANE : 0-DEG 90-DEG
SPACING CRITERIA : 1.2 1.3
SHIELDING ANGLES : 90 0

Candle Power Distribution Curve



LEGEND:

0-deg: - - - - -
45-deg: _____
90-deg: - - - - -

Coefficients of Utilization

Zonal Cavity Method

Effective Floor Cavity Reflectance 0.20

RC%	80			50			30			
RW%	70	50	30	10	50	30	10	50	30	10
0	69	69	69	69	60	60	60	54	54	54
1	61	57	54	51	49	47	45	44	42	41
2	55	49	44	40	42	39	36	38	35	33
3	50	43	37	33	37	33	29	33	30	27
4	45	38	32	28	33	28	25	30	26	23
5	42	33	28	24	29	25	21	26	23	20
6	38	30	24	20	26	22	19	24	20	17
7	36	27	22	18	24	20	16	22	18	15
8	33	25	19	16	22	18	15	20	16	14
9	31	23	18	14	20	16	13	18	15	12
10	29	21	16	13	18	15	12	17	14	11

