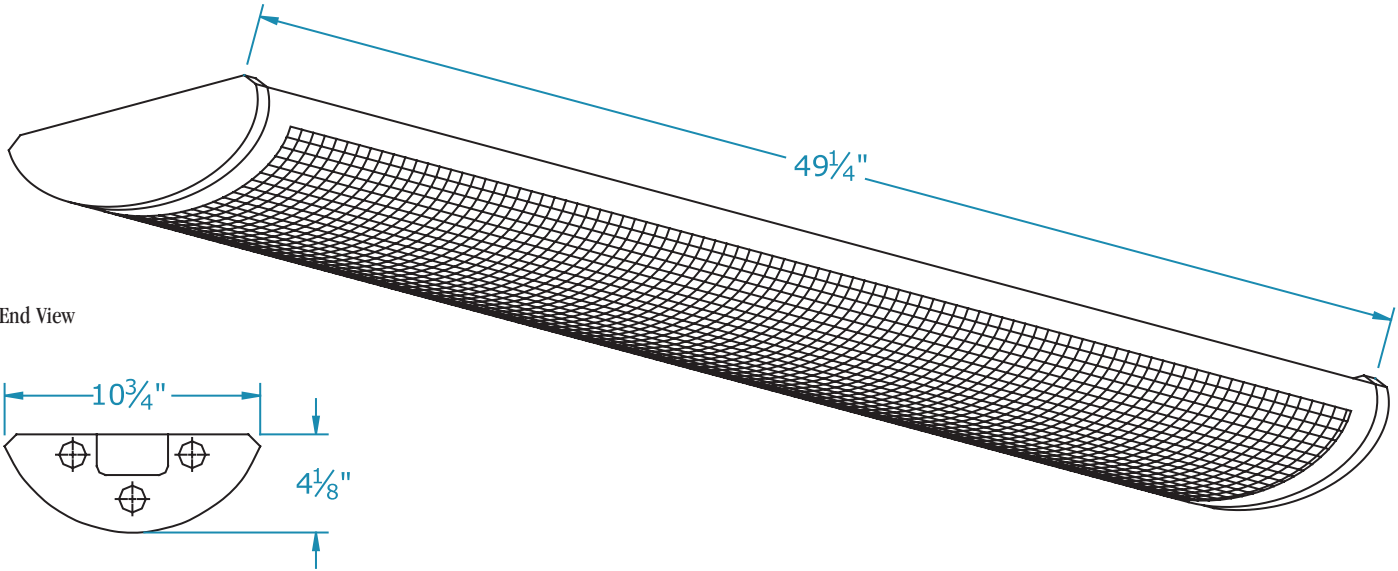


Cimarron Series

PERFORATED METAL

Dimensions

Dimensions are subject to change.
Consult factory for verification.
All configurations/options may not be shown.



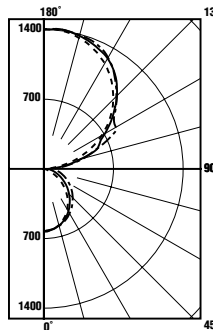
Photometrics

Studies based on room surface reflectance 80%-Ceiling, 50%-Wall, 20% Floor.

CATALOG NUMBER: CN-332 XV

TOTAL LUMINAIRE EFFICIENCY = 70.7 %
CIE TYPE - SEMI-INDIRECT
PLANE : 0-DEG 90-DEG
SHIELDING ANGLES : 90 90

Candle Power Distribution Curve



Coefficients of Utilization

Zonal Cavity Method
Effective Floor Cavity Reflectance 0.20

RC%	80				50				30				
RW%	70	50	30	10	50	30	10	50	30	10	50	30	10
0	72	72	72	72	50	50	50	36	36	36	36	36	36
1	65	62	59	57	43	42	40	32	31	30	32	31	30
2	59	54	50	46	38	35	33	28	26	25	28	26	25
3	54	48	43	39	33	30	28	25	23	21	25	23	21
4	49	42	37	33	29	26	24	22	20	18	22	20	18
5	45	37	32	28	26	23	20	20	17	15	20	17	15
6	42	33	28	24	24	20	18	18	15	13	18	15	13
7	38	30	25	21	21	18	15	16	14	12	16	14	12
8	36	27	22	18	19	16	14	15	12	11	15	12	11
9	33	25	20	16	18	14	12	13	11	9	13	11	9
10	31	23	18	14	16	13	11	12	10	8	12	10	8

LEGEND:

0-deg: - - - - -
45-deg: _____
90-deg: - - - - -

Ordering Information

Catalog #	No & Lamp Type	O/A Length	O/A Width	O/A Depth	Wt.
CN-232 XV	2-F32T8	49 1/4"	10 3/4"	4 1/8"	13
CN-332 XV	3-F32T8	49 1/4"	10 3/4"	4 1/8"	13

Tandem units

