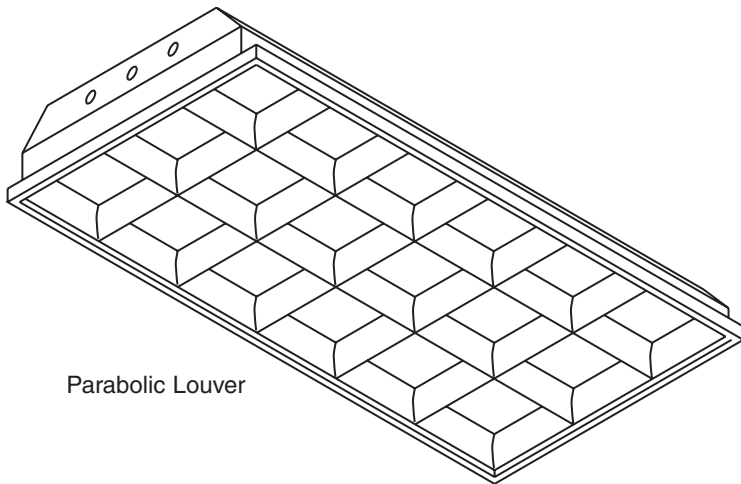
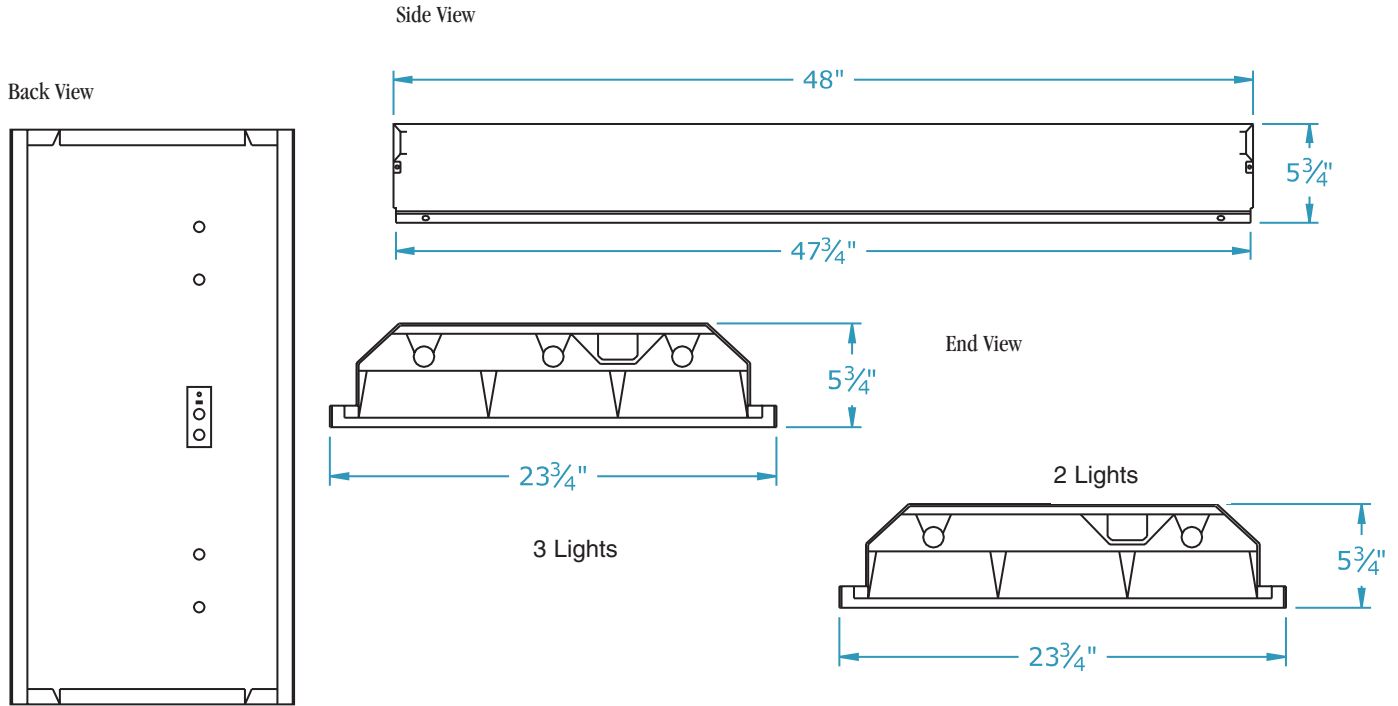


P2G18 Grid Troffer Series

2X4 18 CELL

Dimensions

Dimensions are subject to change.
Consult factory for verification.
All configurations/options may not be shown.



Ordering Information

Catalog #	No & Lamp Type	O/A Length	O/A Width	O/A Depth	Wt.
P2G18-3S232-1XV1	2-F32T8	48"	23 3/4"	5 3/4"	30 1/4
P2G18-3S332-1XV1	3-F32T8	48"	23 3/4"	5 3/4"	30 1/2

Photometrics

Studies based on room surface reflectance 80%-Ceiling, 50%-Wall, 20% Floor.

CATALOG NUMBER: P2G18-3S332-3XV4

TOTAL LUMINAIRE EFFICIENCY = 64.3 %

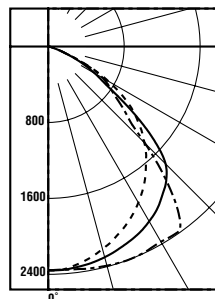
CIE TYPE - DIRECT

PLANE :	0-DEG	90-DEG
SPACING CRITERIA :	1.2	1.5
SHIELDING ANGLES :	22	44
LUMINOUS LENGTH :	45.000	20.875

Coefficients of Utilization

Zonal Cavity Method

Effective Floor Cavity Reflectance 0.20



RC%	80			50			30			
	RW% 70	50	30	10	50	30	10	50	30	10
0	77	77	77	77	71	71	71	68	68	68
1	71	69	67	65	65	63	62	62	61	60
2	66	61	58	55	58	55	53	56	54	52
3	61	55	50	47	52	48	45	50	47	45
4	56	49	44	40	47	43	40	45	42	39
5	52	44	39	35	42	38	35	41	37	34
6	48	40	35	31	38	34	31	37	33	30
7	45	36	31	28	35	31	27	34	30	27
8	41	33	28	25	32	28	24	31	27	24
9	39	31	26	22	30	25	22	29	25	22
10	36	28	23	20	27	23	20	27	23	20

LEGEND:

0-deg: - - - - -
45-deg: _____
90-deg: - - - - -

