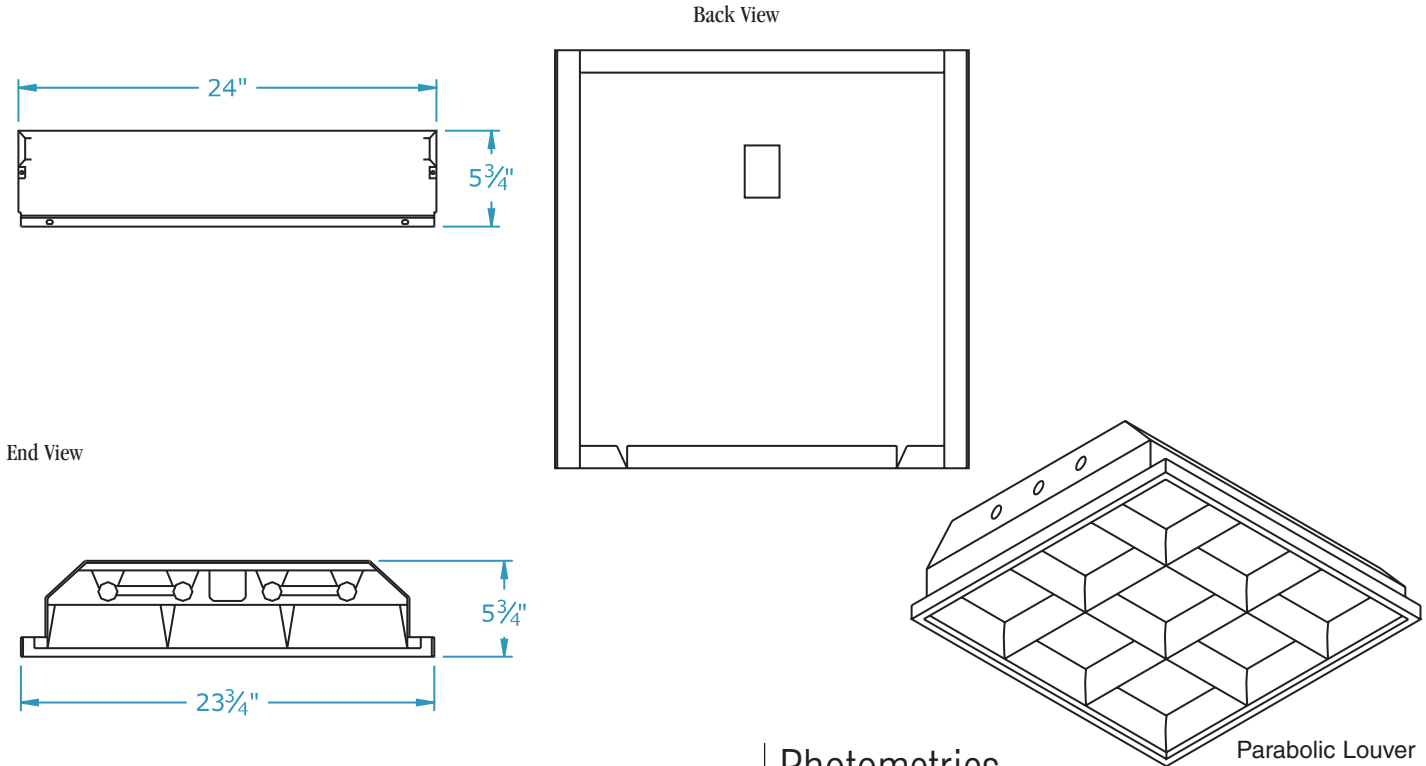


P2G9 Grid Troffer Series

2X2 9 CELL

Dimensions

Dimensions are subject to change.
Consult factory for verification.
All configurations/options may not be shown.



End View

Back View

Parabolic Louver

Ordering Information

Catalog #	No & Lamp Type	O/A Length	O/A Width	O/A Depth	Wt.
P2G9-3S217-1XV	2-17T8	24"	23 3/4"	5 3/4"	15 3/4
P2G9-3S317-1XV	3-17T8	24"	23 3/4"	5 3/4"	16
P2G9-3S2U32-1XV	2-FB32T8 (6" spacing)	24"	23 3/4"	5 3/4"	15 1/2
P2G9-3S2B40-1XV [^]	2-BX40 (twin tube)	24"	23 3/4"	5 3/4"	16 3/4
P2G9-3S3B40-1XV [^]	3-BX40 (twin tube)	24"	23 3/4"	5 3/4"	17 1/4
P2G9-3S2U31-1XV	2-FB31T8 (1 5/8" spacing)	24"	23 3/4"	5 3/4"	15 1/2
P2G9-3S3U31-1XV	3-FB31T8 (1 5/8" spacing)	24"	23 3/4"	5 3/4"	16

[^] Also available in 50 and 55 watt Biax.

Photometrics

Studies based on room surface reflectance 80%-Ceiling, 50%-Wall, 20% Floor.

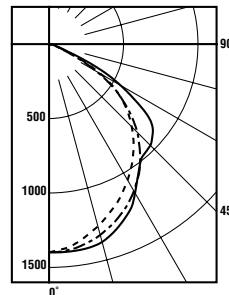
CATALOG NUMBER: P2G9-3S2U32-1XV

TOTAL LUMINAIRE EFFICIENCY = 56.4 %

CIE TYPE - DIRECT

PLANE :	0-DEG	90-DEG	180-DEG
SPACING CRITERIA :	1.1	1.2	1.2
SHIELDING ANGLES :	22	22	
LUMINOUS LENGTH :	21.000	20.875	

Candle Power Distribution Curve



LEGEND:

0-deg: - - - - -
45-deg: - - - - -
90-deg: - - - - -

Coefficients of Utilization

Zonal Cavity Method

Effective Floor Cavity Reflectance 0.20

RC%	80			50			30			
	RW ⁷⁰	50	30	10	50	30	10	50	30	10
0	67	67	67	67	63	63	63	60	60	60
1	63	60	58	57	57	55	54	55	53	52
2	58	54	50	48	51	48	46	49	47	45
3	53	48	44	40	45	42	39	44	41	39
4	49	43	38	35	41	37	34	39	36	34
5	45	38	34	30	37	33	30	36	32	30
6	42	35	30	27	33	29	26	32	29	26
7	39	32	27	24	30	26	23	30	26	23
8	36	29	24	21	28	24	21	27	24	21
9	34	27	22	19	26	22	19	25	21	19
10	32	25	20	17	24	20	17	23	20	17

