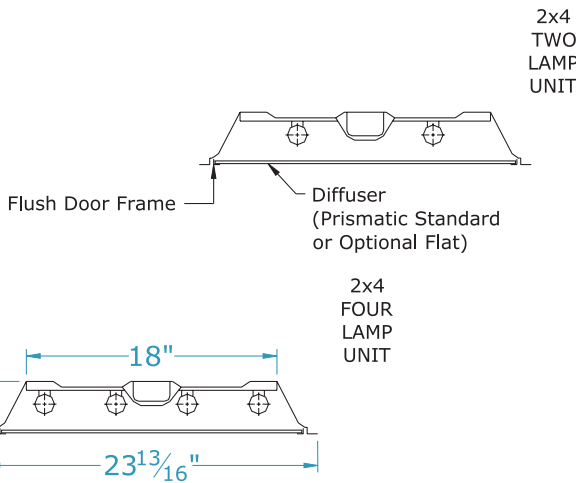
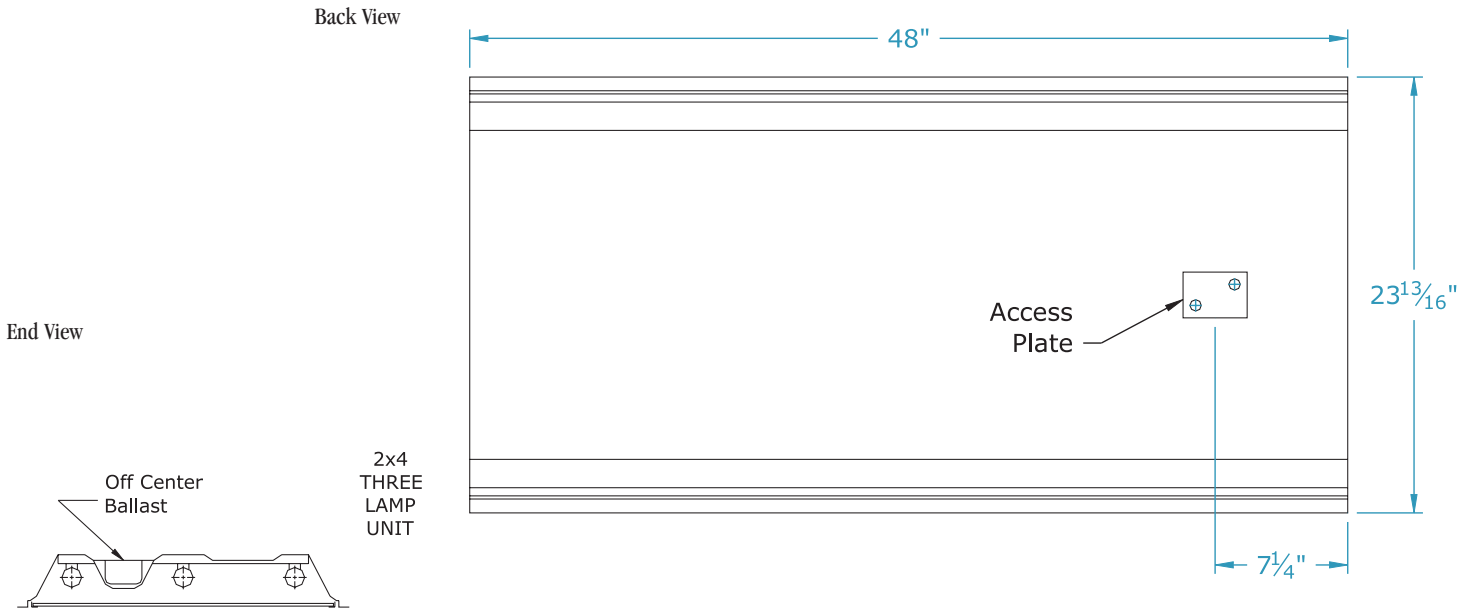


# 724 Grid Troffer Series

2X4

## Dimensions

Dimensions are subject to change.  
Consult factory for verification.  
All configurations/options may not be shown.



## Photometrics

Studies based on room surface reflectance 80%-Ceiling, 50%-Wall, 20% Floor.

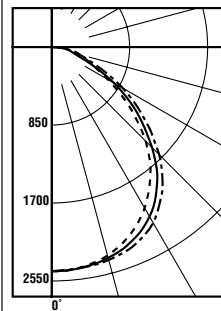
**CATALOG NUMBER: 724-GA1-332-1XV / 724-FA1-332-XV**

TOTAL LUMINAIRE EFFICIENCY = 71.2 %

CIE TYPE - DIRECT

PLANE :	0-DEG	90-DEG
SPACING CRITERIA :	1.2	1.3
SHIELDING ANGLES :	90	90
LUMINOUS LENGTH :	45.625	21.500

### Candle Power Distribution Curve



LEGEND:

0-deg: - - - - -  
45-deg: \_\_\_\_\_  
90-deg: - - - - -

### Coefficients of Utilization

Zonal Cavity Method  
Effective Floor Cavity Reflectance 0.20

RC*	80				50				30			
	RW*	70	50	30	10	50	30	10	50	30	10	
0	85	85	85	85	79	79	79	76	76	76	76	
1	78	75	72	69	70	68	66	67	66	64	64	
2	71	66	61	57	62	59	55	60	57	54	54	
3	65	58	53	48	55	51	47	53	49	46	46	
4	60	52	46	42	49	44	41	48	44	40	40	
5	56	47	41	36	44	39	35	43	39	35	35	
6	51	42	36	32	40	35	31	39	35	31	31	
7	48	38	32	28	37	32	28	36	31	28	28	
8	44	35	29	25	34	29	25	33	28	25	25	
9	42	32	27	23	31	26	23	30	26	22	22	
10	39	30	24	21	29	24	20	28	24	20	20	

## Ordering Information

Catalog #	No & Lamp Type	O/A Length	O/A Width	O/A Depth	Wt.
724-G*-232-1XV1	2-F32T8	48"	23 13/16"	3 3/4"	25 1/2
724-G*-332-1XV1	3-F32T8	48"	23 13/16"	3 3/4"	25 3/4
724-G*-432-1XV1	4-F32T8	48"	23 13/16"	3 3/4"	26

\* Specify lens type required

