

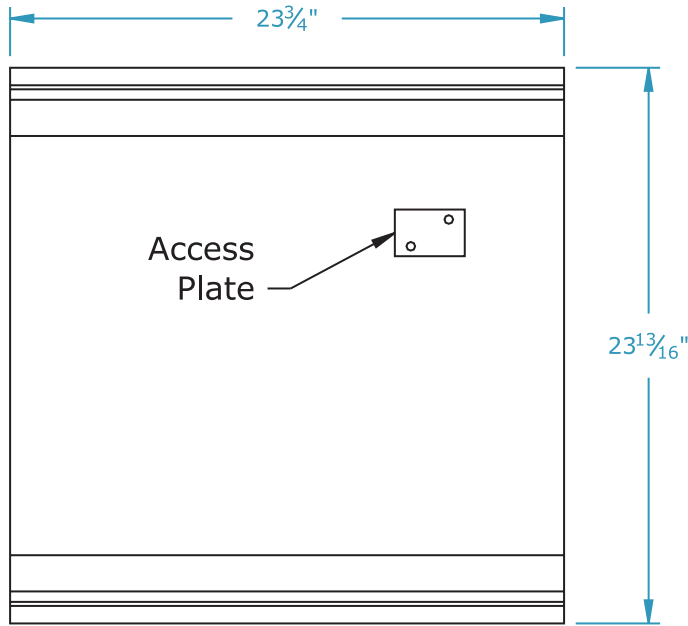
# 722 Grid Troffer Series

2X2

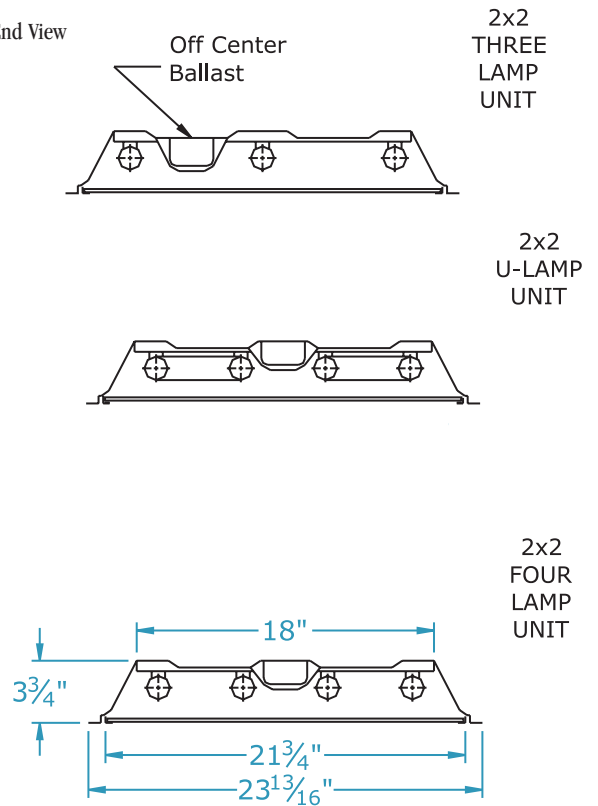
## Dimensions

Dimensions are subject to change.  
Consult factory for verification.  
All configurations/options may not be shown.

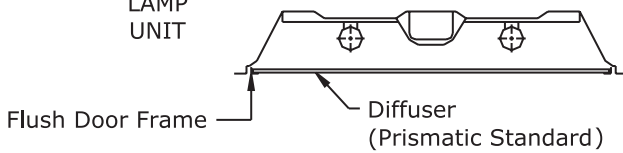
Back View



End View



2x2  
TWO  
LAMP  
UNIT



## Ordering Information

Catalog #	No & Lamp Type	O/A Length	O/A Width	O/A Depth	Wt.
722-G*-217-XV	2-F17T8	23 3/4"	23 13/16"	3 3/4"	15 1/4
722-G*-317-XV	3-F17T8	23 3/4"	23 13/16"	3 3/4"	15 1/2
722-G*-417-XV	4-F17T8	23 3/4"	23 13/16"	3 3/4"	16
722-G*-2U31-1XV	2-FB31T8 (1 5/8" spacing)	23 3/4"	23 13/16"	3 3/4"	15
722-G*-2U32-XV	2-FB32T8 (6" spacing)	23 3/4"	23 13/16"	3 3/4"	15
722-G*-3U31-XV	3-FB31T8 (1 5/8" spacing)	23 3/4"	23 13/16"	3 3/4"	15 1/2
722-G*-2B40-1XV^	2-BX40 (TWIN TUBE)	23 3/4"	23 13/16"	3 3/4"	16 1/4
722-G*-3B40-1XV^	3-BX40 (TWIN TUBE)	23 3/4"	23 13/16"	3 3/4"	16 3/4

\* Specify lens type required

^ Available in 50 or 55 watt also.

