

# 101 Series

1 LAMP 3" WIDE OPEN CHANNEL

## Features

- White finish, surface mount
- Wide variety of lengths (15" –16')
- Snap together construction, no tools required
- UL Listed

## Specifications

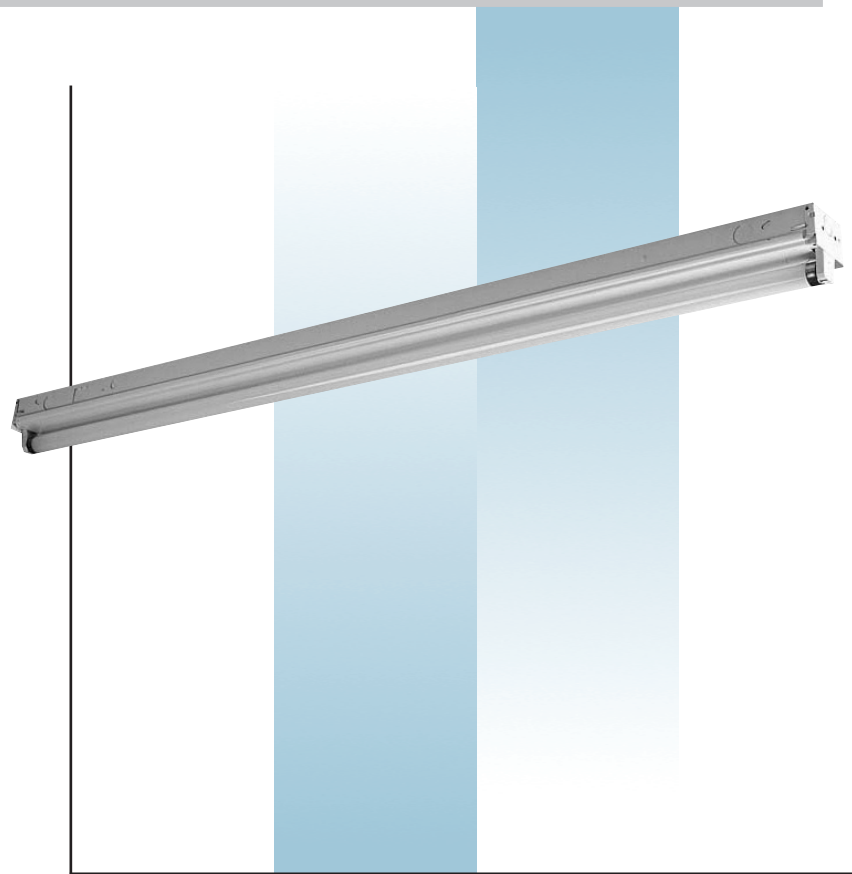
- Ballasts are thermally protected Class P, non-PCB and UL listed. Electronic ballasts are sound rated "A".
- Housings are formed from cold rolled steel and painted with a high-gloss, baked white enamel finish after multi-stage cleaning and a phosphate coating to inhibit rust, has been applied.
- Fixture is designed for ceiling or wall mounting and is available in many sizes and lamp configurations.

## Application

- Commercial or residential
- Garages
- Coves
- General lighting
- Display cases

## Options

- 120 volt
- 277 volt
- Multi-volt (120-277v, 50 or 60 Hertz)
- 0 Degree F
- Dimming
- THD less than 10% - instant start
- THD less than 10% - rapid start
- Program Start
- Low Watt (Low Ballast Factor)
- High Light output (High Ballast Factor)



## Accessories

- Emergency battery pack
- Symmetric reflectors
- Direct reflectors
- Asymmetric reflectors
- Wire guards
- Plug thru circuits

Catalog Number	Type