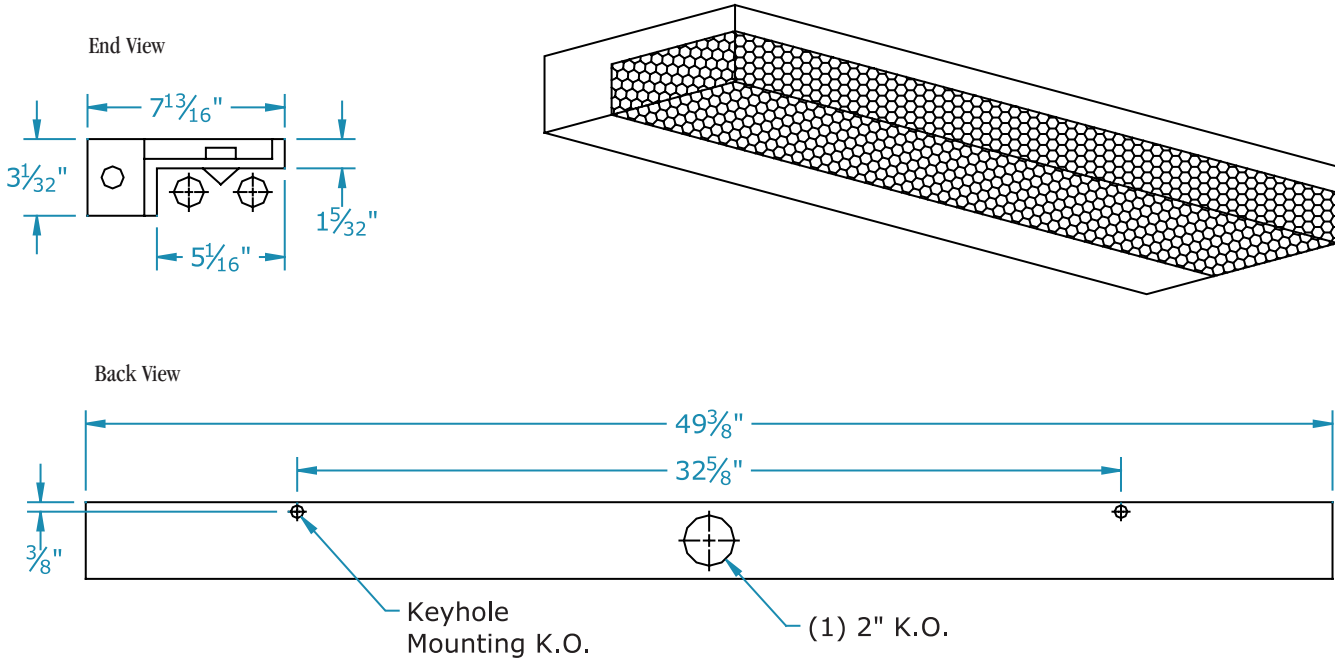


WBC Series

COMMERCIAL WALL BRACKET

Dimensions

Dimensions are subject to change.
Consult factory for verification.
All configurations/options may not be shown.



Ordering Information

Catalog #	No & Lamp Type	O/A Length	O/A Width	O/A Depth	Wt.
WBC-217 XV	2-F17T8	25 $\frac{3}{8}$ "	7 $\frac{13}{16}$ "	3 $\frac{1}{32}$ "	8 $\frac{1}{4}$
WBC-225 XV	2-F25T8	37 $\frac{3}{8}$ "	7 $\frac{13}{16}$ "	3 $\frac{1}{32}$ "	11 $\frac{1}{2}$
WBC-232 XV	2-F32T8	49 $\frac{3}{8}$ "	7 $\frac{13}{16}$ "	3 $\frac{1}{32}$ "	15

