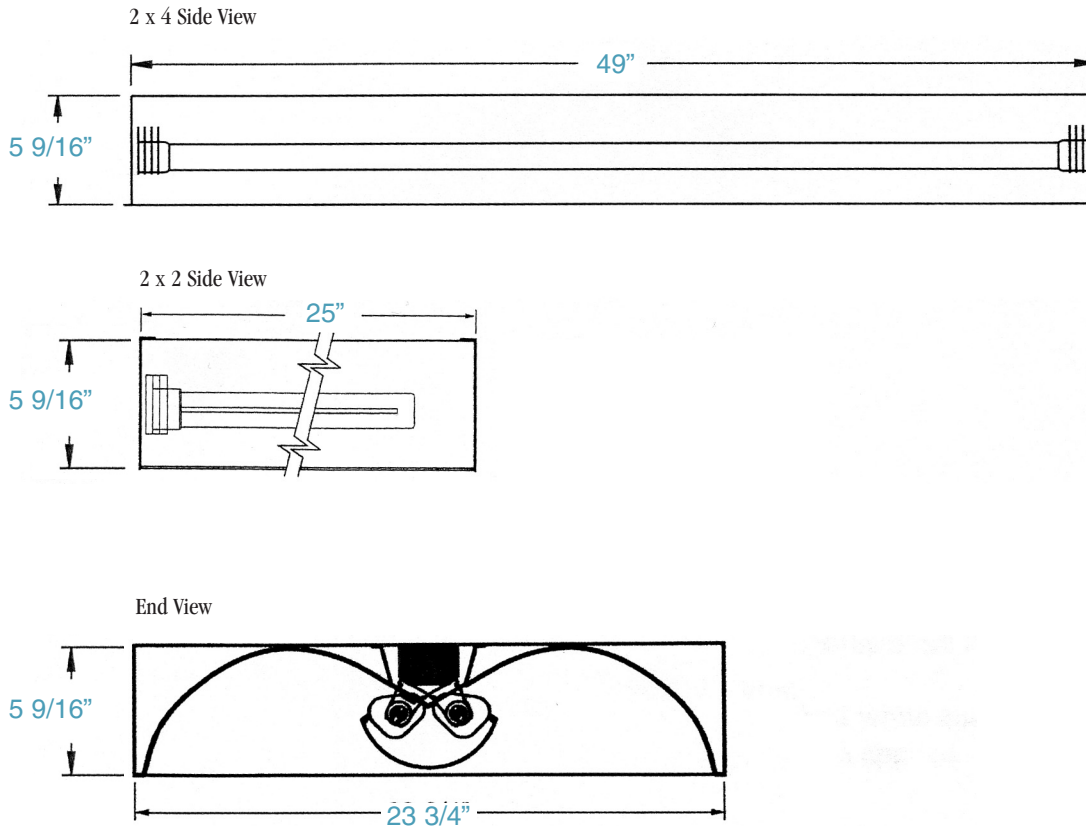


Soft Light Surface Series

2X2, 2X4

Dimensions

Dimensions are subject to change.
Consult factory for verification.
All configurations/options may not be shown.



Ordering Information

Catalog #	No & Lamp Type	O/A Length	O/A Width	O/A Depth
2X2				
8SLS-22-2B40 XV	2-BX40	25"	23 3/4"	5 9/16"
2X4				
8SLS-24-232 XV	2-F32T8	49"	23 3/4"	5 9/16"
8SLS-24-332 XV	3-F32T8	49"	23 3/4"	5 9/16"

Dimensions subject to change. Consult factory for verification.

