

Features

- White under cabinet
- Five sizes available
- 1 1/8" Housing depth
- UL Listed

Specifications

- Ballasts are Class P, non-PCB and UL listed. Electronic ballasts are sound rated "A".
- Housings are formed from cold rolled steel and painted with a high-gloss, baked white enamel finish after multi-stage cleaning and a phosphate coating to inhibit rust, has been applied.
- Fixture is designed for mounting under shelves and cabinets.
- No fasteners required for mounting cover to body.
- Standard diffuser is 100% virgin ribbed white acrylic.

Application

- Commercial or residential
- Under shelves or cabinets
- Work stations
- Commercial showcases



Accessories

- Switches – 120 volt only
- Cord – 120 volt only

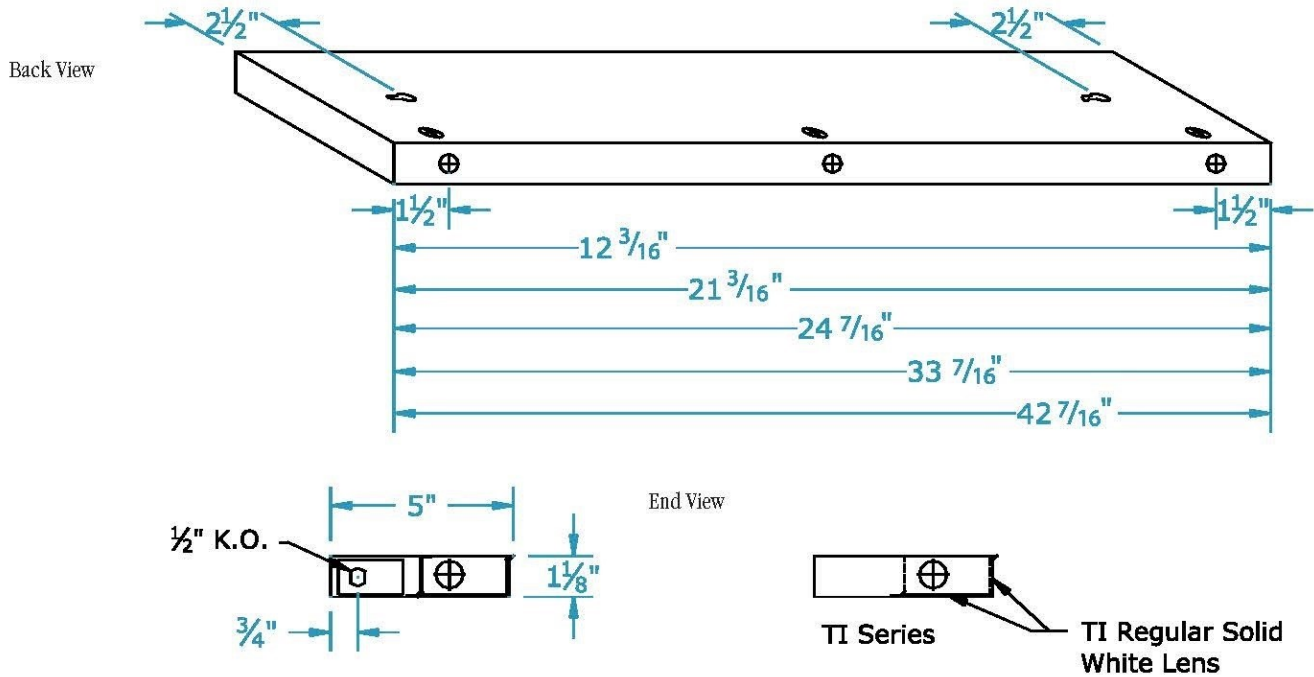
Catalog Number	Type

TI Series

UNDER CABINET

Dimensions

Dimensions are subject to change.
Consult factory for verification.
All configurations/options may not be shown.



Ordering Information

Catalog #	No & Lamp Type	O/A Length	O/A Width	O/A Depth	Wt.
TI-HFE-12 SW	1-F8T5	12 3/16"	5"	1 1/8"	2
TI-HFE-21 SW	1-F13T5	21 3/16"	5"	1 1/8"	3
TI-HFE-24 SW	2-F8T5	24 7/16"	5"	1 1/8"	3 5/8
TI-HFE-33 SW	1-F8T5/1-F13T5	33 7/16"	5"	1 1/8"	4 1/2
TI-HFE-42 SW	2-F13T5	42 7/16"	5"	1 1/8"	5 5/8

