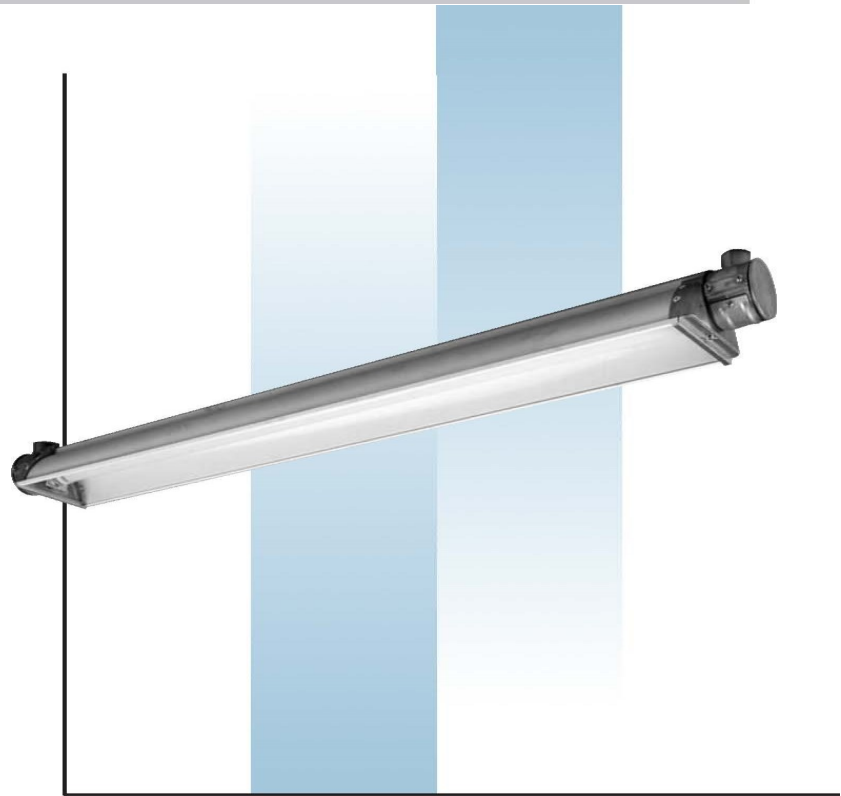


Features

- Aluminum housing with transparent acrylic lens
- Gasketed junction box
- 360° rotation for aiming purposes
- Wet location approved
- UL Listed

Specifications

- Ballasts are thermally protected class P, non-PCB & UL listed. Electronic ballasts are sound rated A. Multi volt -20° T5HO T8HO & T12 HO.
- Housing is extruded high quality aluminum in a parabolic shape for maximum light output and efficiency. Heavy gauge die cast aluminum ends screw to housing to seal fixture from the elements.
- The junction box, with neoprene gasket, contains all of the wiring splices and allows fixture to rotate a full 360°.
- Ballasts come in rain tight gutter (T12 HO & T8 HO)
- T5 HO fixtures are made with ballasts that are self contained, no gutter is necessary.
- Diffuser is 100% virgin acrylic that slides into grooves to protect the lamps.



Application

- Commercial
- Building exteriors
- Billboards
- Sign Illumination
- Security Lighting

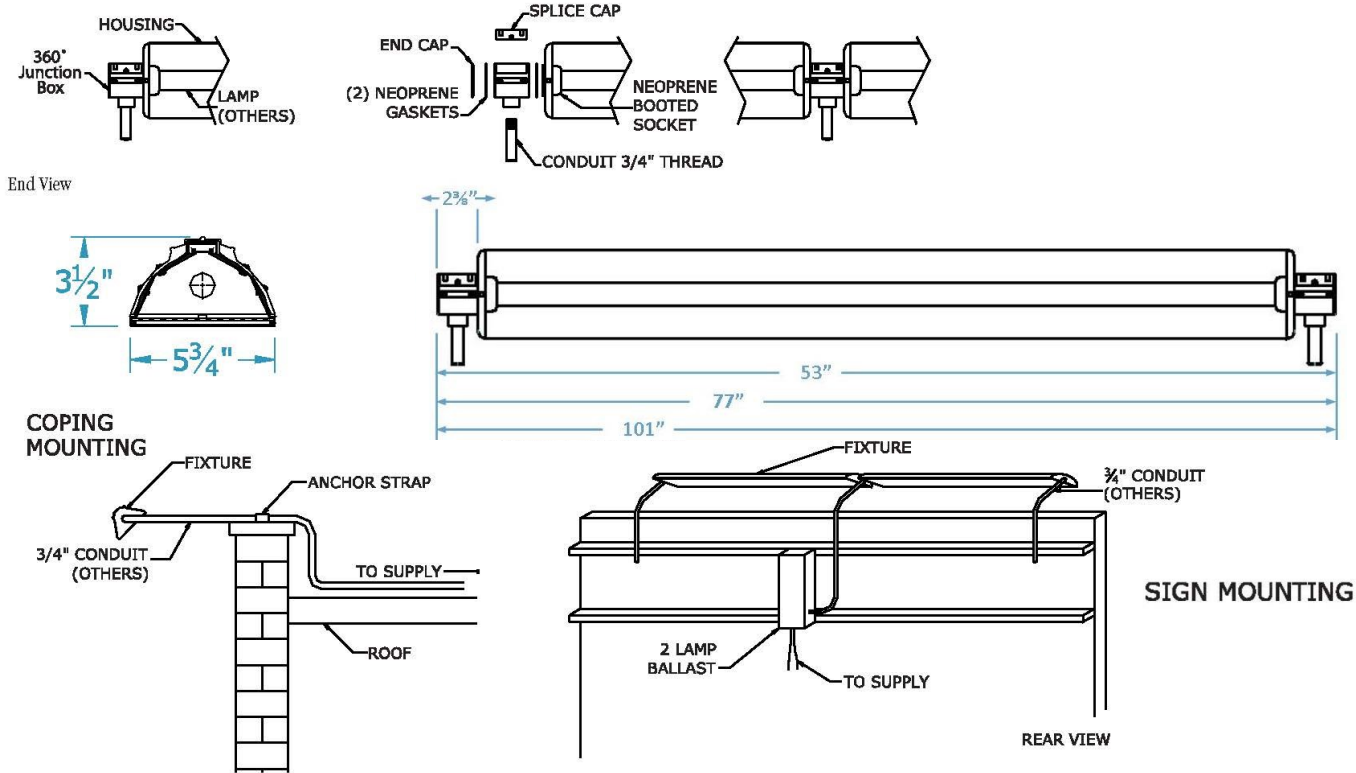
Catalog Number	Type

ASL Series

OUTDOOR ADJUSTABLE SIGN LIGHT

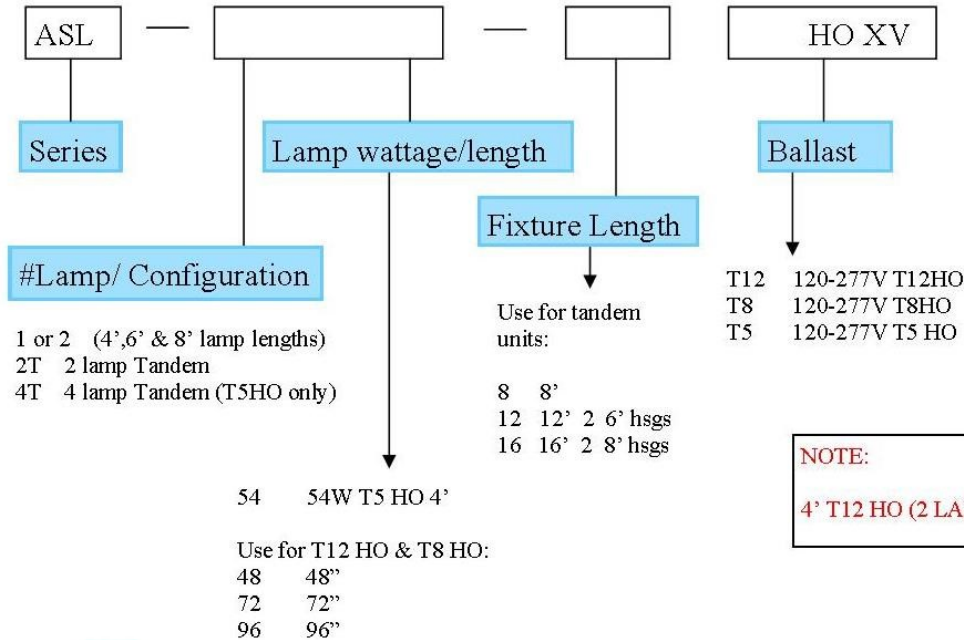
Dimensions are subject to change.
Consult factory for verification.
All configurations/options may not be shown.

Dimensions



Ordering Information

Example: ASL-196 T12 HO XV



- No. 3 should not exceed dimensions of No. 1.
- No. 2 should be twice the dimension as No. 1.
- If No. 2 exceeds 15 ft., luminaire's should be installed at top and bottom of area to be illuminated.
- Angle of No. 4 should be 45°. If No. 1 is four times less than No. 2 then angle 4 should be 22.5°

NOTE:
4' T12 HO (2 LAMP ONLY)

