

Features

- Shallow angle lens
- Installed motion sensor
- UL listed
- Mounts above stairwell entry
- 2, 3, and 4' lengths

Specifications

- Dual 120-277v standard 1 lamp instant start T8 ballasts installed allows 1 lamp on 100% of the time/1 lamp off until motion is detected then both lamps on.
- Ballasts are thermally protected Class P, non-PCB and UL listed. And sound rated "A".
- Housings are formed from cold rolled steel and painted with a high-gloss, baked white enamel finish after multi-stage cleaning and a phosphate coating to inhibit rust, has been applied.
- Fixture is designed for wall mounting above door entry.
- Standard diffuser is 100% virgin translucent ribbed acrylic.
- Installed integral mount occupancy sensor adjustable from 30 seconds to 30 minute intervals.

Application

- Above door in stairwells, when optimal energy savings is required.



Accessories

- Emergency battery pack

Certifications/Ratings

- Meets ASHRAE 90.1—2013 standards



Catalog Number	Type

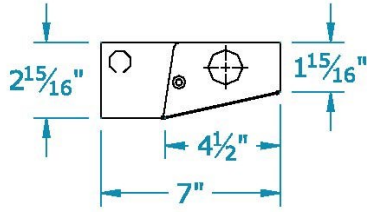
WBS Stairwell Fixture

BI-LEVEL STAIRWELL LUMINAIRE

Dimensions are subject to change.
Consult factory for verification.
All configurations may not be shown.

Dimensions

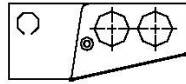
End View



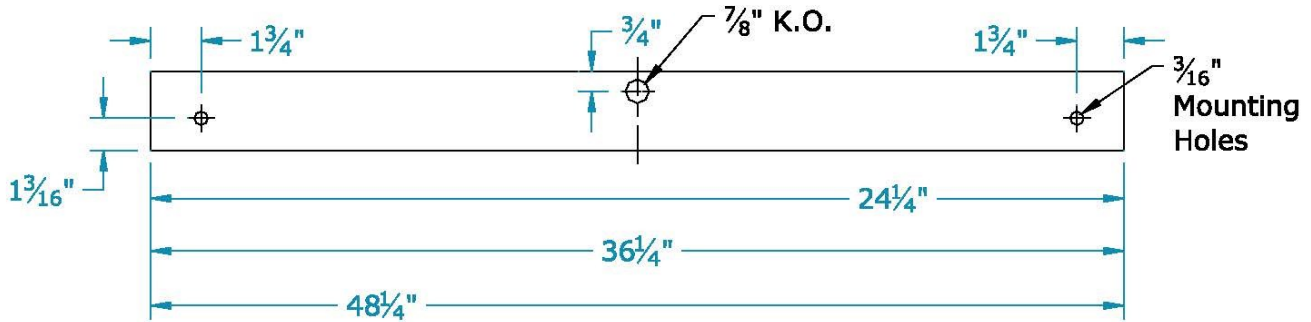
Integral Fixture Mount Occupancy Sensor installed on the face of the fixture to provide maximum range

Luminaire Occupancy Sensor

Energy savings for linear and task lighting fixtures



Back View



Ordering Information

CATALOG #	# LAMP/TYPE	O/A LENGTH	O/A WIDTH	O/A DEPTH
WBS-217 XVD/L OCC	2-F17 T8	24 1/4"	7"	2 15/16"
WBS-225 XVD/L OCC	2-F25 T8	36 1/4"	7"	2 15/16"
WBS-232 XVD/L OCC	2-F32 T8	48 1/4"	7"	2 15/16"

