



82P18 Series 2x4 18 Cell

3 LAMP

Features

- White body deep cell surface mount
- Spring loaded latches
- UL Listed
- Semi-specular, 3" deep, low iridescent louver

Specifications

- Ballasts are thermally protected class P, non-PCB & UL listed. Electronic ballasts are sound rated A. Multi volt 0° F ballast T8 & T5, -20° F T5HO.
- Housings are formed from cold rolled steel & painted with a high-gloss, baked white enamel finish after multi-stage cleaning and a phosphate coating to inhibit rust, has been applied.
- Designed for ceiling mounting.
- Louver is 3" deep and is semi-specular and low iridescent.
- Door has mitered corners and hinges from either side.



Application

- Commercial/Residential
- Offices
- General lighting

Options

- Dimming
- Dual level wiring
- -20° F T8 120-277v instant start.
- Program start
- LBF (T8 low ballast factor)
- HBF (T8 high ballast factor)

Accessories

- Emergency battery pack
- Stems/canopy

Catalog Number

Type



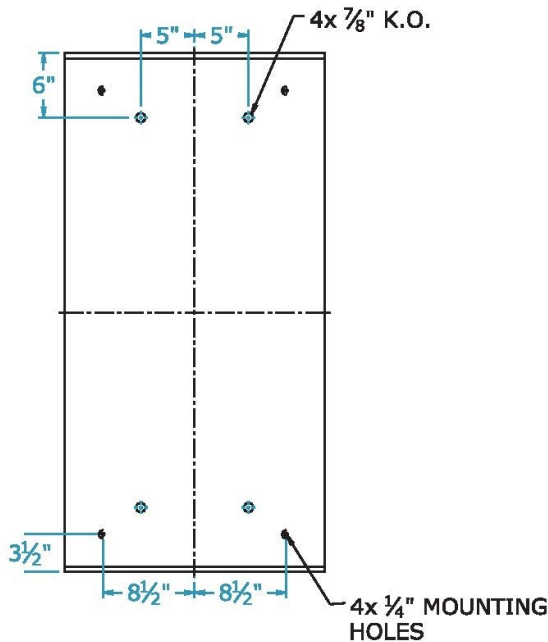
82P18 Series 2x4 18 Cell

3 LAMP

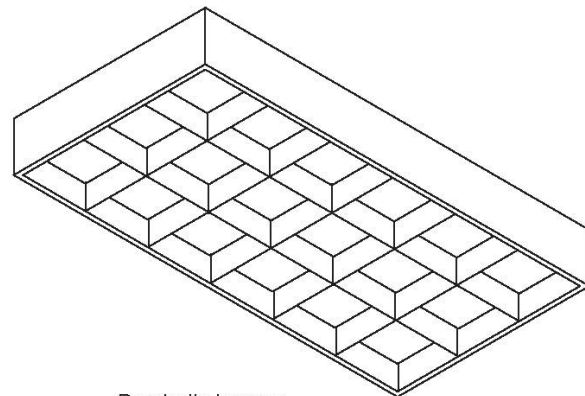
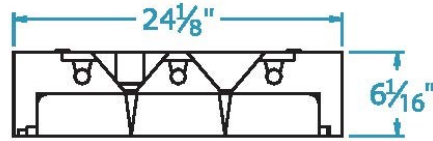
Dimensions

Dimensions are subject to change.
Consult factory for verification.
All configurations/options may not be shown.

Back View



End View



Ordering Information

Example: 82P18-3S332 XV

