

Features

- T-bar ceiling installation
- Optional Flange Kit for drywall installation
- UL listed

Specifications

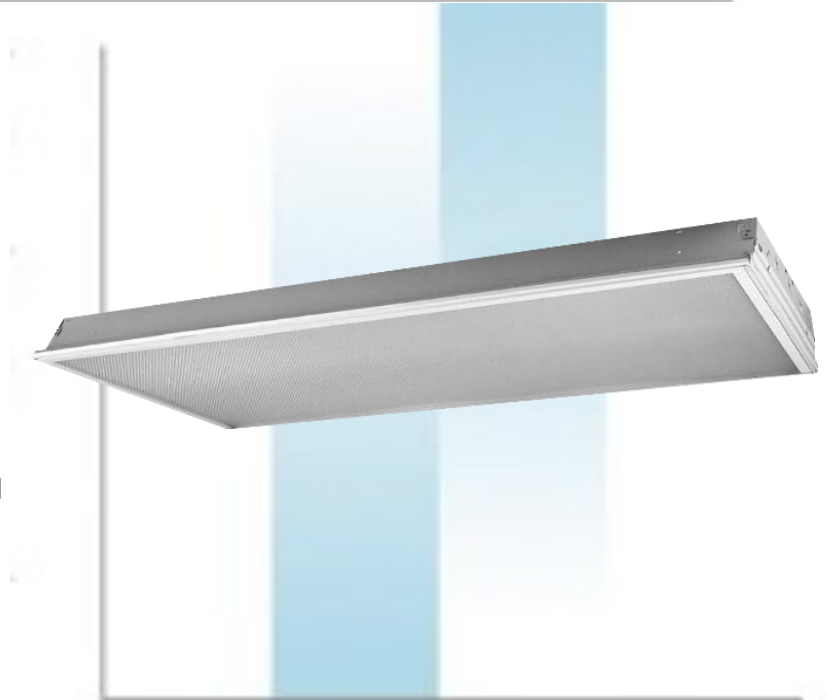
- Ballasts are thermally protected class P, non-PCB & UL listed. Electronic ballasts are sound rated A. Multi volt 0° F ballast T8 & T5, -20° F T5HO.
- Housings are formed from cold rolled steel and painted with a high-gloss, baked white enamel finish after multi-stage cleaning and a phosphate coating to inhibit rust, has been applied.
- Door hinges from either side of fixture and is secured by rotary cam latches.
- Standard diffuser is 100% virgin acrylic.
- Door has mitered corners and hinges from either side.
- Integral earthquake clips standard.

Application

- Commercial/Residential
- Offices
- Restaurants
- General Lighting

Options

- Dimming
- Dual level wiring
- -20° F T8 120v-277v instant start
- Program start
- LBF (T8 low ballast factor)
- HBF (T8 high ballast factor)



Accessories

- Emergency battery pack
- Flange kits
- Lamps

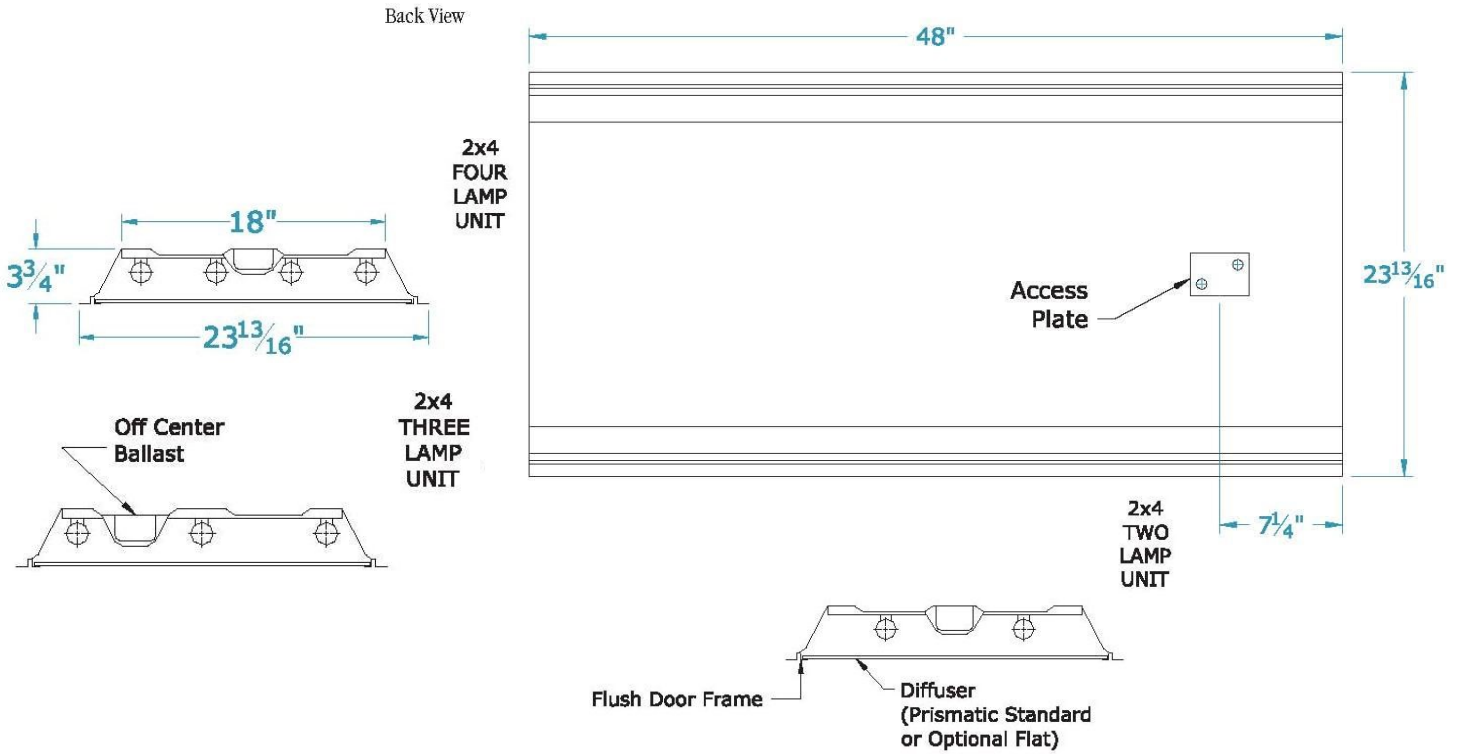
Catalog Number	Type

724 Grid Troffer Series

2X4

Dimensions

Dimensions are subject to change.
Consult factory for verification.
All configurations may not be shown.



Ordering Information

Example: 724-GA1-3D32-4XV7

