

Features

- Surface mount , white finish
- A variety of lengths available
- UL Listed

Specifications

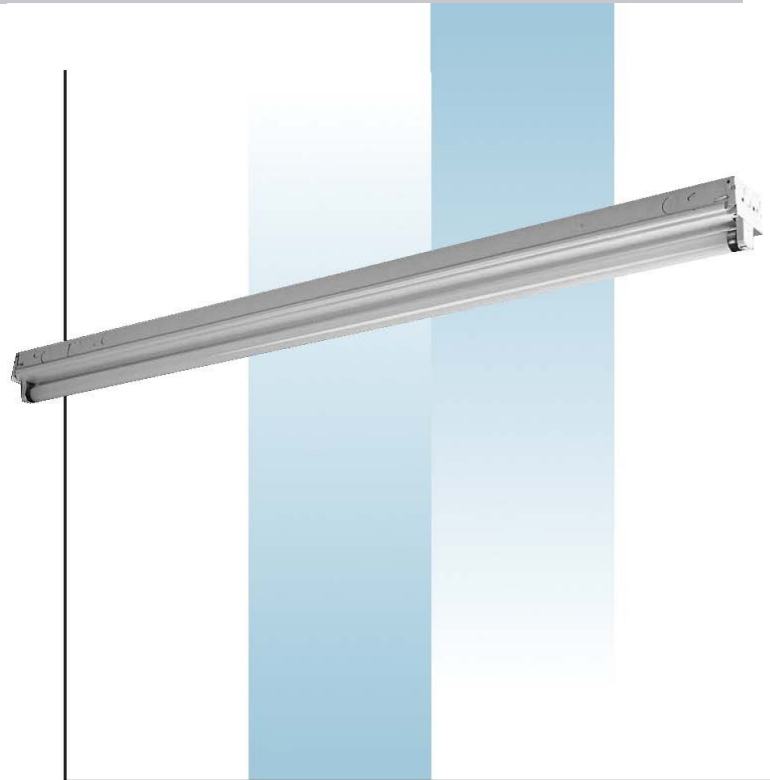
- Ballasts are thermally protected class P, non-PCB & UL listed. Electronic ballasts are sound rated A. Multi volt 0° F ballast T8 & T5, -20° F T5HO.
- Housings are formed from cold rolled steel and painted with a high gloss, baked white enamel finish after multi-stage cleaning and a phosphate coating to inhibit rust, has been applied.
- Surface, or wall mounting.
- Available in many sizes and configurations.

Application

- Commercial/residential
- Coves
- Display cases
- Garages
- General Lighting

Options

- Dimming
- Dual level wiring
- -20° F T8 120-277v instant start.
- Program start
- LBF (T8 low ballast factor)
- HBF (T8 high ballast factor)



Accessories

- Emergency battery pack
- Wire guard
- Symmetric reflectors
- Asymmetric reflectors
- Direct reflectors

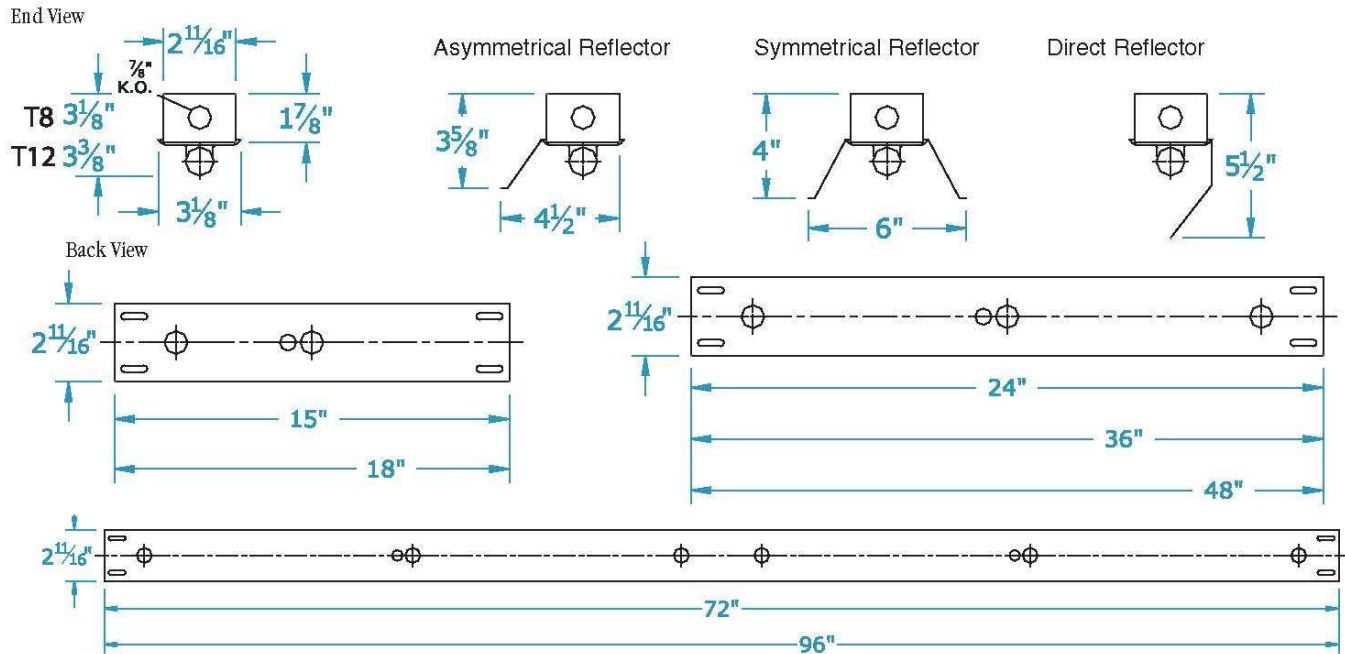
Catalog Number	Type

101 Series

1 LAMP 3" WIDE OPEN CHANNEL

Dimensions

Dimensions are subject to change.
Consult factory for verification.
All configurations/options may not be shown.



Ordering Information

Example: 101-32 XV

