



100 Series

SLIMLINE/HO SHALLOW OPEN CHANNELS 1 & 2 LAMP

Features

- White finish, Surface/chain mount
- Available in 4,6 & 8' lengths
- UL Listed

Specifications

- Ballasts are thermally protected class P, non-PCB & UL listed. Electronic ballasts are sound rated A. Multi volt 0° F ballast T8 & T12, -20° T8 & T12 HO.
- Housings are formed from cold rolled steel and painted with a high gloss, baked white enamel finish after multi-stage cleaning and a phosphate coating to inhibit rust, has been applied.
- Surface, pendant, chain or suspended mounting.
- Reflectors are formed with lateral embossments and a return flange for strength and rigidity.

Application

- Commercial/residential
- Warehouses
- Production areas
- Garages
- General Lighting

Options

- Program start T8 HO
- LBF (T8 slim line low ballast factor)



Accessories

- Emergency battery pack
- V-hooks
- Stems/canopies
- Wire guard
- Occupancy sensor



Catalog Number	Type

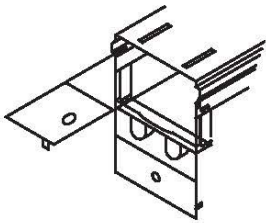
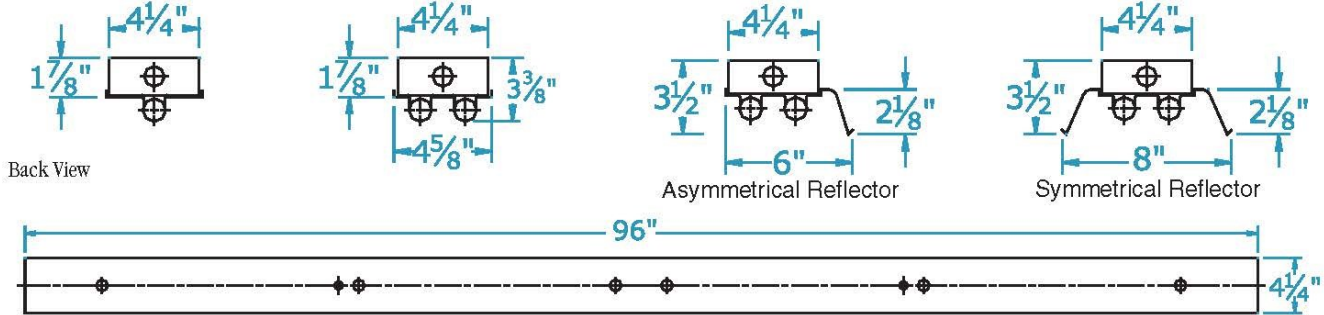
100 Series

SLIMLINE/HO SHALLOW OPEN CHANNELS 1 & 2 LAMP

Dimensions

Dimensions are subject to change.
Consult factory for verification.
All configurations/options may not be shown.

End View



END USED AS CONTINUOUS ROW COUPLING

Ordering Information

Example: 102-96 HO T12 XV

