

Features

- White housing with anodized reflector
- Various mounting methods
- UL Listed
- Also available in T5

Specifications

- Ballasts are thermally protected class P, non-PCB & UL listed. Electronic ballasts are sound rated A. Multi volt 0° F ballast T8 & T5, -20° F T5HO.
- Housings are formed from cold rolled steel and post painted white with anodized reflector.
- Surface, pendant, chain or suspended mounting.
- Optional wireguard swings out for easy access to lamps.
- Wireguard: combination of 6 & 9 ga wire that is zinc coated.

Application

- Commercial
- Warehouses
- Manufacturing plants
- Retail spaces

Options

- Dimming
- Dual level wiring
- -20° F T8 120-277v instant start.
- Program start
- LBF (T8 low ballast factor)
- HBF (T8 high ballast factor)



Accessories

- Emergency battery pack
- V-hooks
- Stems/canopies
- Wire guard
- Occupancy sensor
- Lensed Door frame

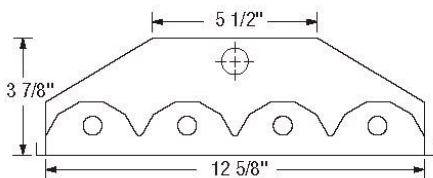
Catalog Number	Type

Hudson T8 Series

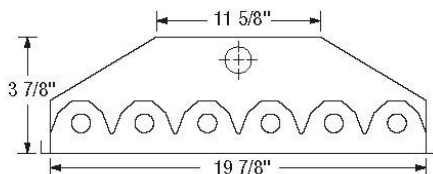
4, 6 & 8 LIGHT

Dimensions

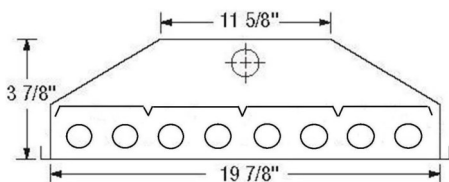
Dimensions are subject to change.
Consult factory for verification.
All configurations/options may not be shown.



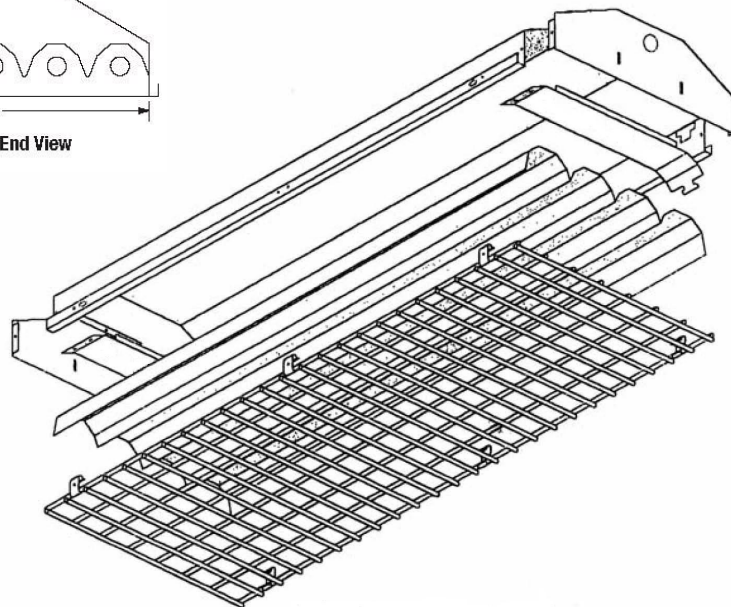
4-Lamp High Bay End View



6-Lamp High Bay End View



8-Lamp High Bay End View



Ordering Information

Example: HN-A-632 T8 XVN

