

## Features

---

- Surface mount
- Gasketed housing
- Moisture & dust resistant for damp or wet locations
- UL Listed

## Specifications

---

- Ballasts are thermally protected class P, non-PCB & UL listed. Electronic ballasts are sound rated A. Multi volt 0° F ballast T8 & T5, -20° F T5HO, T12HO & T8HO.
- Housing is compression molded into one piece of non-conductive, non-corrosive and self-extinguishing fiber-glass reinforced polyester.
- A continuous poured gasket is bonded to the housing with the housing and lens locked together by retaining latches.
- Standard diffuser is 100% virgin acrylic.

## Application

---

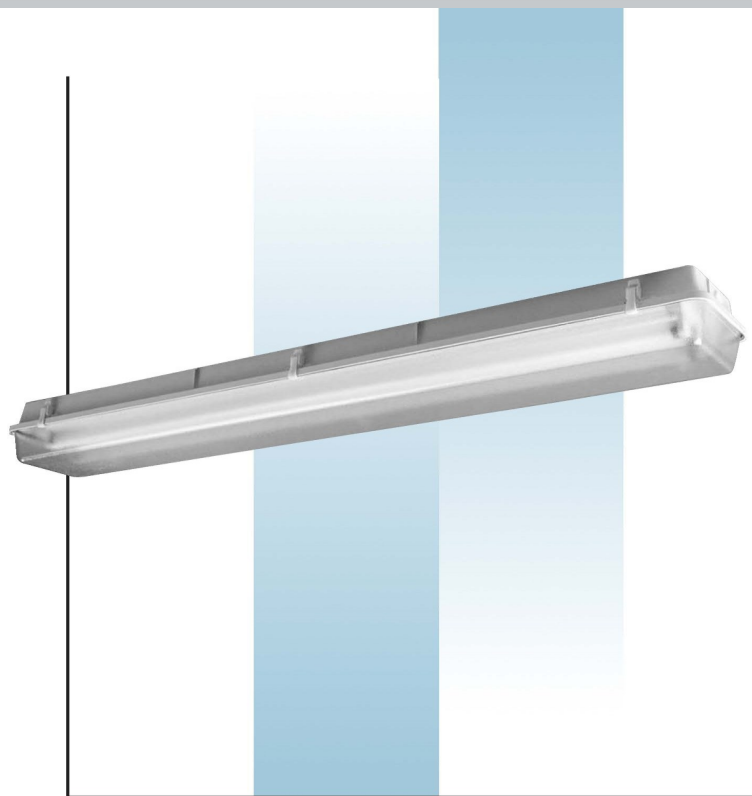
Not for use in hazardous (explosive) Environments

- Commercial/residential
- Meat or food processing plants
- Freezer or Refrigeration areas
- Car washes

## Options

---

- Dimming
- Dual level wiring
- -20° F T8 120-277v instant start.
- Program start
- LBF (T8 low ballast factor)
- HBF (T8 high ballast factor)



## Accessories

---

- Emergency battery pack

Catalog Number	Type

