

## Features

---

- Square corner fixture
- 4 sizes available
- UL listed
- Lift and shift lens mounting
- White acrylic diffuser

## Specifications

---

- 120-277v standard T8.
- Ballasts are thermally protected Class P, non-PCB and UL listed. And sound rated "A".
- Housings are formed from cold rolled steel and painted with a high-gloss, baked white enamel finish after multi-stage cleaning and a phosphate coating to inhibit rust, has been applied.
- Fixture is designed for ceiling mount and is available in many sizes and lamp configurations.
- Diffuser is 100% virgin acrylic that is of a lift and shift design for easy maintenance.

## Application

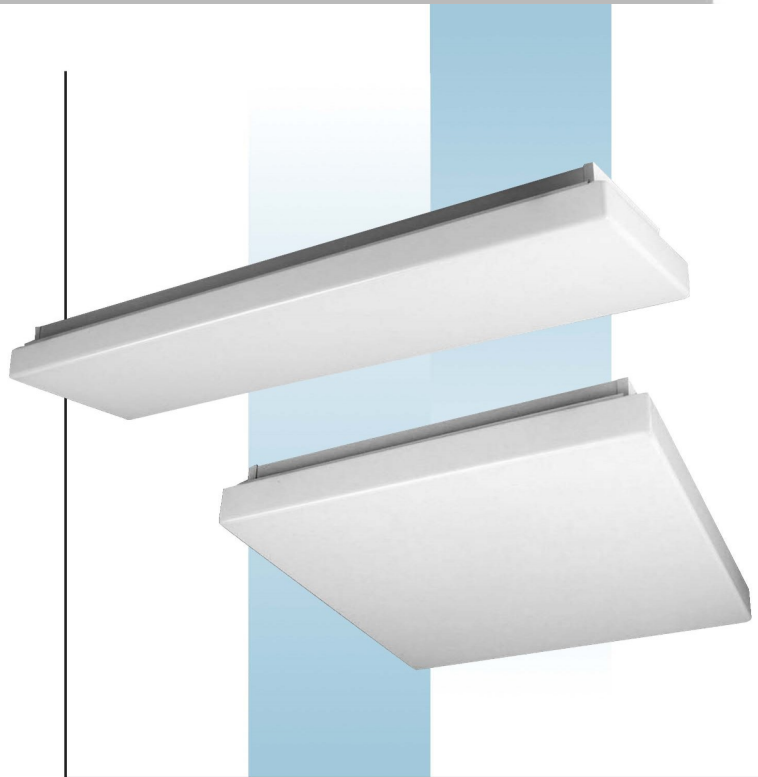
---

- Commercial or residential
- Kitchens
- Offices
- General lighting

## Options

---

- Dimming
- Program start



## Accessories

---

- Emergency battery pack

| Catalog Number | Type |
|----------------|------|
|                |      |

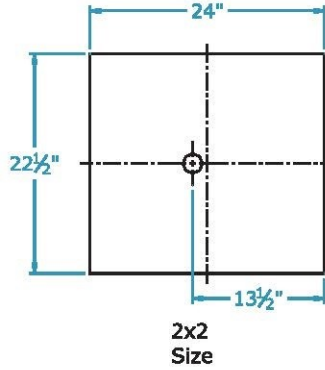
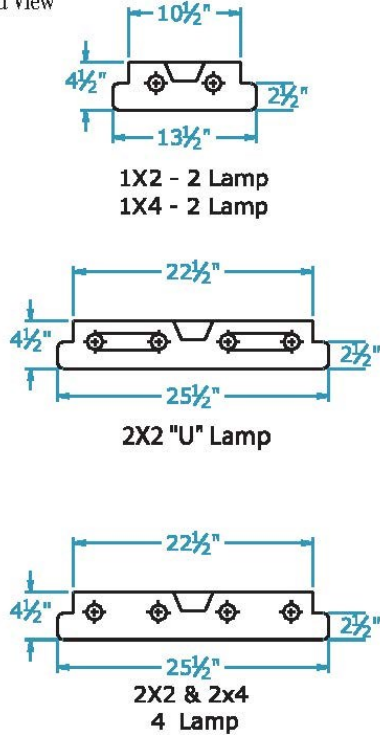
# Cloud 9 Series

4 sizes

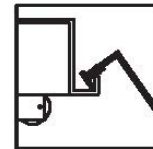
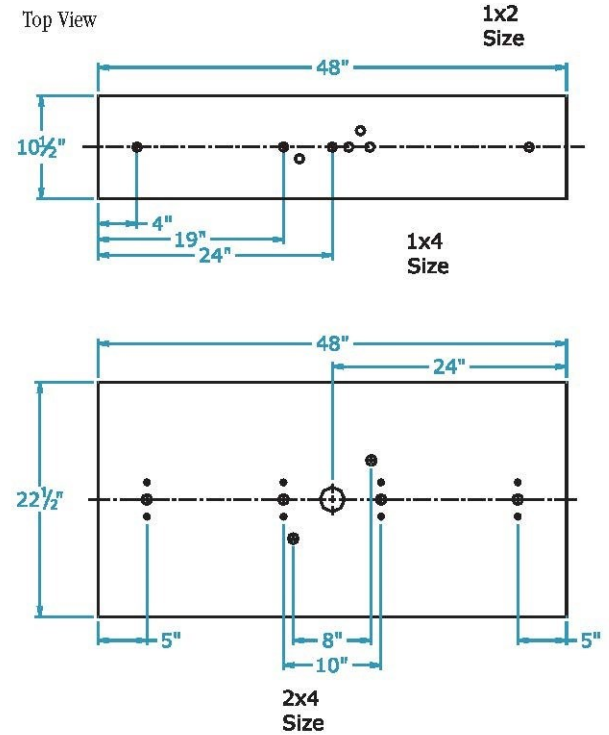
## Dimensions

Dimensions are subject to change.  
Consult factory for verification.  
All configurations may not be shown.

End View



Top View



Hinging  
Detail

## Ordering Information

| Catalog #     | No & Lamp Type | O/A Length | O/A Depth | O/A Width | Wt. |
|---------------|----------------|------------|-----------|-----------|-----|
| C9-12-217 XV  | 2-F17T8        | 26"        | 4 1/2"    | 13 1/2"   | 11  |
| C9-14-232 XV  | 2-F32T8        | 50"        | 4 1/2"    | 13 1/2"   | 19  |
| C9-14-432 XV  | 4-F32T8        | 50"        | 4 1/2"    | 13 1/2"   | 19  |
| C9-22-417 XV  | 4-F17T8        | 26"        | 4 1/2"    | 25 1/2"   | 17  |
| C9-22-2U32 XV | 2-FB32T8       | 26"        | 4 1/2"    | 25 1/2"   | 17  |
| C9-24-332 XV  | 3-F32T8        | 50"        | 4 1/2"    | 25 1/2"   | 32  |
| C9-24-432 XV  | 4-F32T8        | 50"        | 4 1/2"    | 25 1/2"   | 32  |

