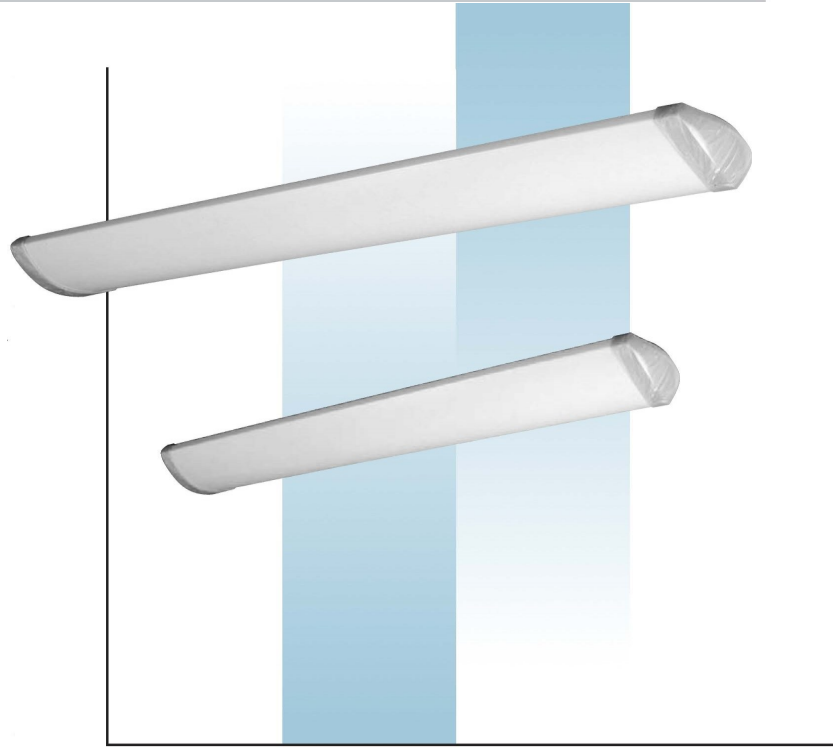


## Features

- Choice of four colors of end caps to match the Aspen Bathbar and Sconce
- Curved end caps add dimension to the fixture
- Lift and shift mounting of the lens
- UL Listed

## Specifications

- Ballasts are thermally protected class P, non-PCB & UL listed. Electronic ballasts are sound rated A. Multi volt 0° F ballast T8 & T5, -20° F T5HO.
- Housings are formed from cold rolled steel and painted with a high gloss, baked white enamel finish after multi-stage cleaning and a phosphate coating to inhibit rust, has been applied.
- Fixture can be ceiling or pendant mounted.
- The 100% Virgin acrylic lens offers a choice of end cap colors to compliment the Aspen Bathbar or wall Sconce Series. The lens hinges on either side for east maintenance.



## Application

- Commercial/residential
- Hallways or corridors
- Kitchens
- Conference rooms
- General office lighting

## Options

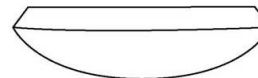
- Dimming
- Dual level wiring
- -20° F T8 120-277v instant start.
- Program start
- LBF (T8 low ballast factor)
- HBF (T8 high ballast factor)



IV-Ivory Marble



WM-White Marble



SW-Solid White



AL-Alabaster

Catalog Number

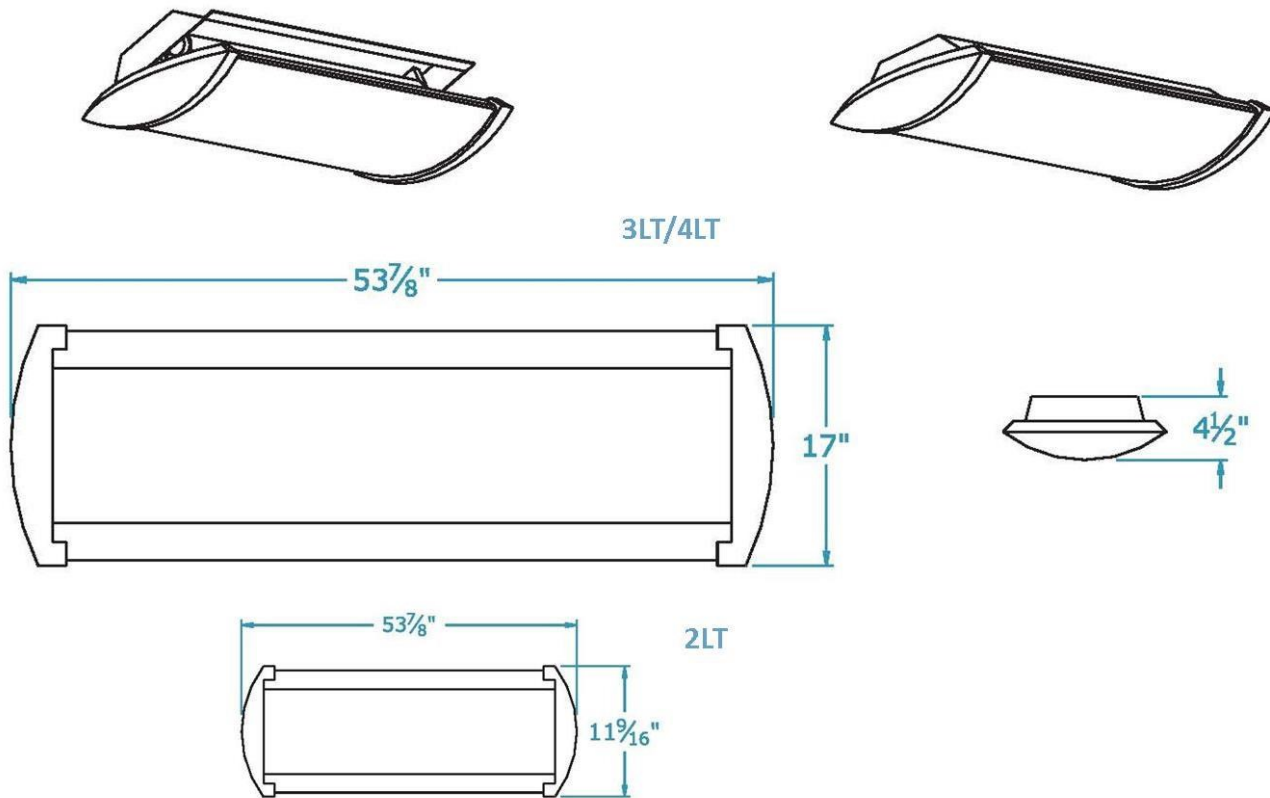
Type

# Aspen Wrap Series

2, 3 or 4 LAMP

## Dimensions

Dimensions & colors are subject to change.  
Consult factory for verification.  
All configurations/options may not be shown.



## Ordering Information

Example: ANJW-SW-232 XV

